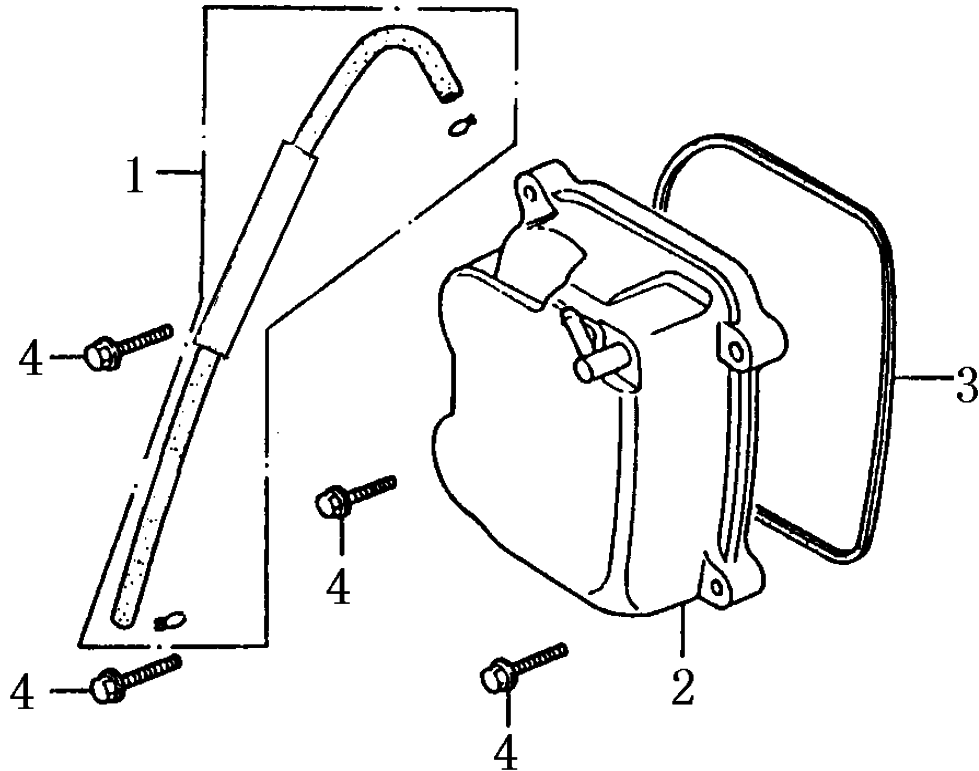


# CONTENTS

---

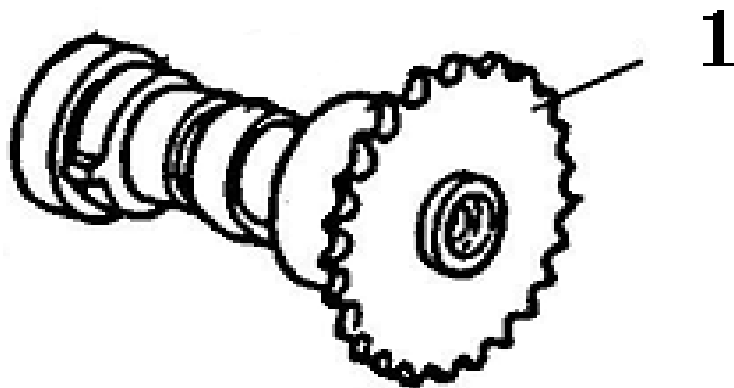
- FIG. 1 COVER COMP CYLINDER HEAD
- FIG. 2 CAMSHAFT COMP
- FIG. 3 HOLDER CAMSHAFT COMP
- FIG. 4 CYLINDER HEAD COMP
- FIG. 5 CARBURETOR
- FIG. 6 AIR CLEANER
- FIG. 7 LEFT CRANKCASE COVER
- FIG. 8 DRIVE PULLEY
- FIG. 9 CYLINDER COMP
- FIG. 10 CRANKSHAFT COMP
- FIG. 11 FAN COVER SHROUD
- FIG. 12 GENERATOR COMP
- FIG. 13 STARTING MOTOR/MOTOR STARTER COMP
- FIG. 14 RIGHT CRANKCASE COVER COMP
- FIG. 15 CRANKCASE COMP
- FIG. 16 TRANSMISSION COMP
- FIG. 17 PUMP COMP
- FIG. 18 CHAIN CAM COMP
- FIG. 19 BRUSH GUARD
- FIG. 20 FRAME GROUP
- FIG. 21 FRONT SUSPENSION
- FIG. 22 STEERING
- FIG. 23 REAR SUSPENSION/AXLE
- FIG. 24 MUFFLER & IGNITION
- FIG. 25 CONTROLS
- FIG. 26 WARNING/GRAPHIC DECALS
- FIG. 27 ELECTRICAL SCHEMATIC

## 1. COVER COMP CYLINDER HEAD



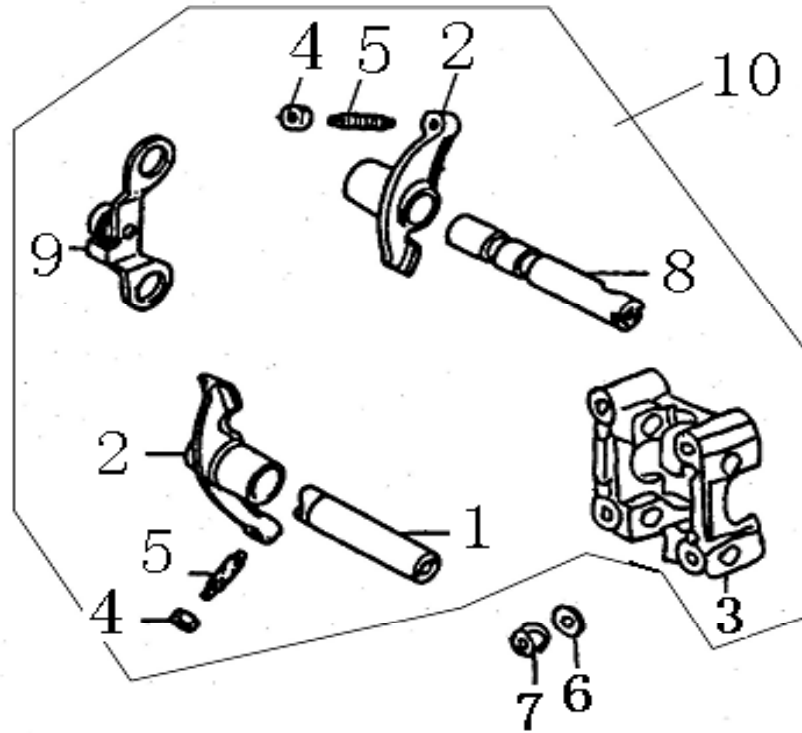
| REF# | TPG#    | DESCRIPTION         | QTY |
|------|---------|---------------------|-----|
| 1-1  | GK05823 | TUBE BREATHER       | 1   |
| 1-2  | GK05824 | CYLINDER HEAD COVER | 1   |
| 1-3  | GK05825 | GASKET HEAD COVER   | 1   |
| 1-4  | BS00075 | BOLT FLANGE M6X25   | 4   |

## 2. CAMSHAFT COMP



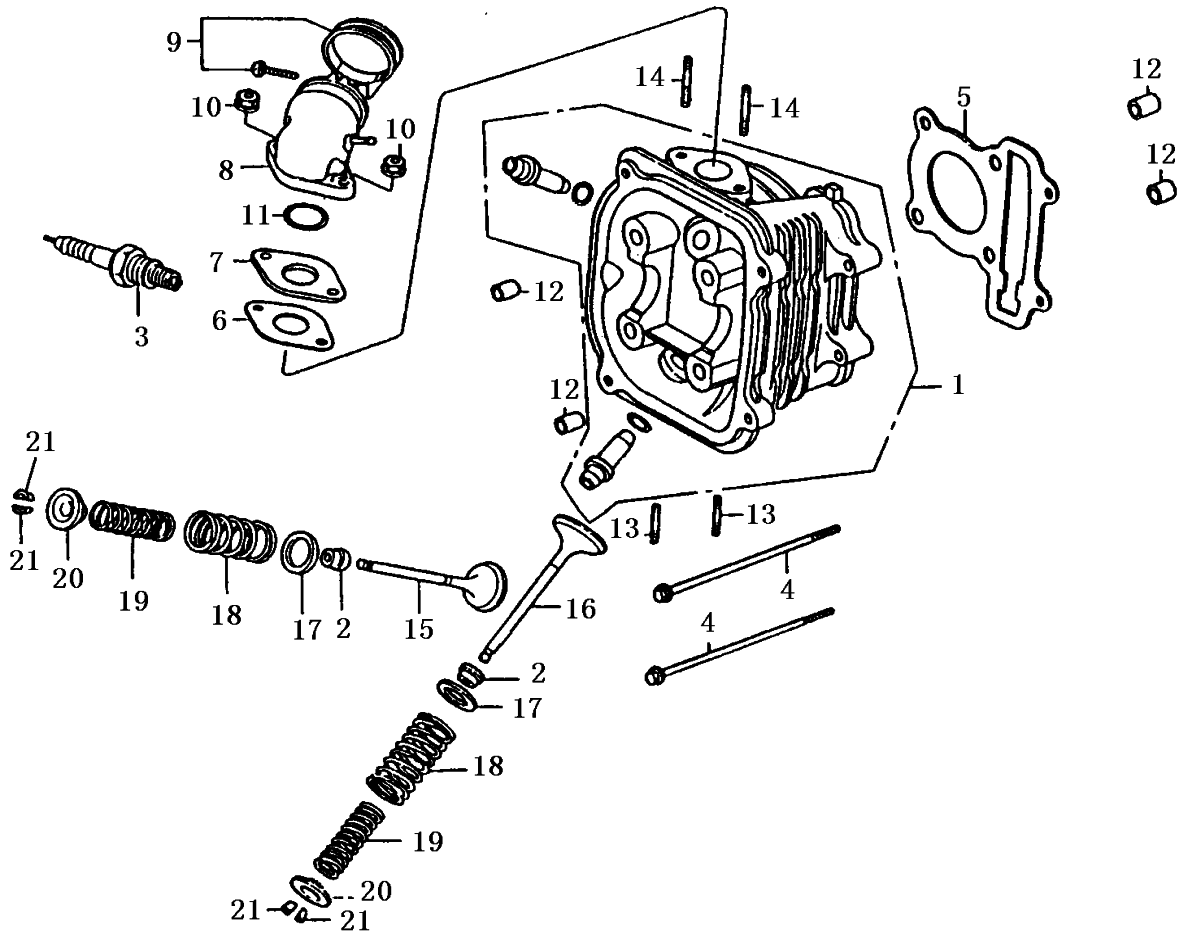
| REF# | TPG#    | DESCRIPTION | QTY |
|------|---------|-------------|-----|
| 2-1  | GK05827 | CAMSHAFT    | 1   |

### 3. HOLDER CAMSHAFT COMP



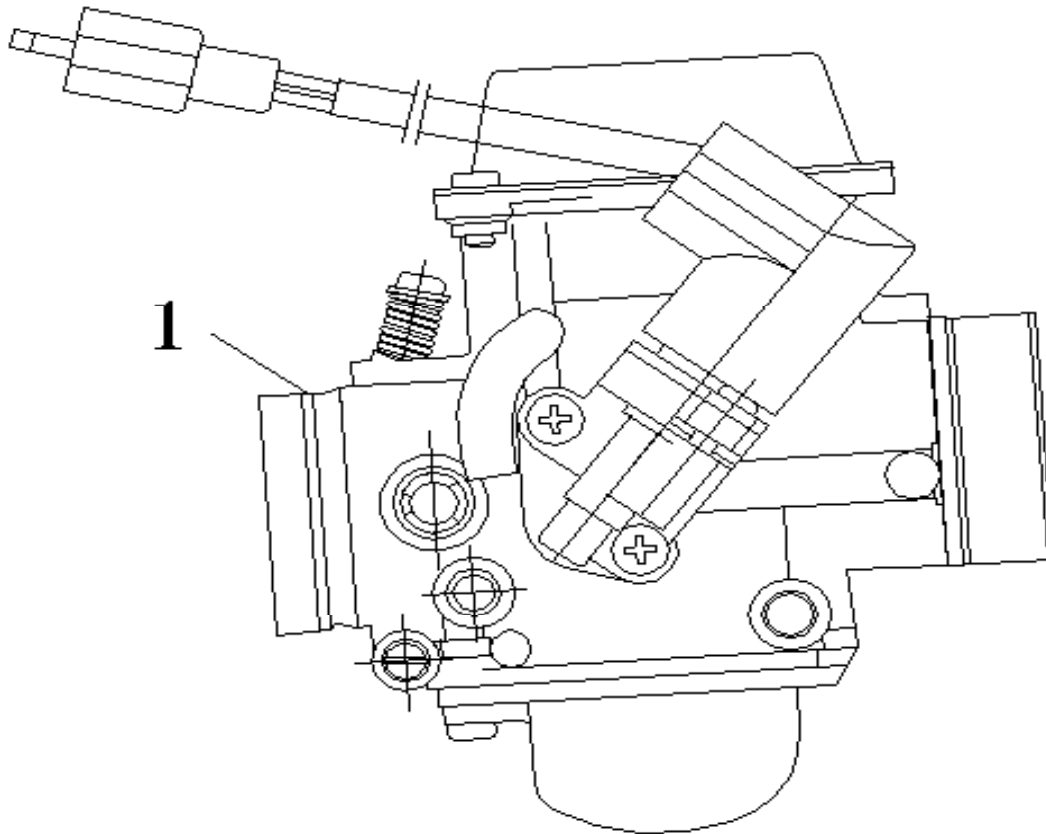
| REF# | TPG#    | DESCRIPTION              | QTY |
|------|---------|--------------------------|-----|
| 3-1  | GK05828 | SHAFT EX ROCKER ARM      | 1   |
| 3-2  | GK05829 | ARM VALVE ROCKER         | 2   |
| 3-3  | GK05830 | HOLDER CAMSHAFT          | 1   |
| 3-4  | GK05831 | NUT TAPPET ADJUSTING     | 2   |
| 3-5  | GK05832 | SCREW TAPPET ADJUSTING   | 2   |
| 3-6  | GK05833 | WASHER M8                | 4   |
| 3-7  | GK05834 | NUT FLANG M8             | 4   |
| 3-8  | GK05835 | SHAFT COMP IN ROCKER ARM | 1   |
| 3-9  | GK05836 | PLATE COMP STOPPER       | 1   |
| 3-10 | GK05837 | HOLDER CAMSHAFT ASSY     | 1   |

#### 4. CYLINDER HEAD COMP



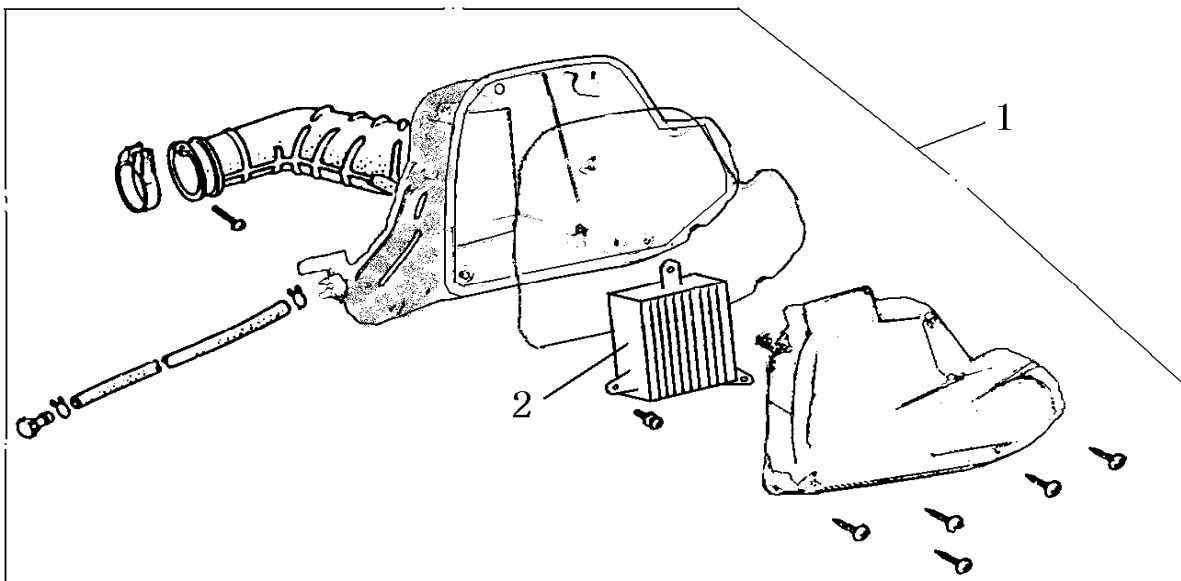
| REF# | TPG#    | DESCRIPTION                 | QTY |
|------|---------|-----------------------------|-----|
| 4-1  | GK05838 | HEAD COMP CYLINDER          | 1   |
| 4-2  | GK05839 | SEAL VALVE STEM             | 2   |
| 4-3  | GK05840 | PLUG SPARK                  | 1   |
| 4-4  | GK05841 | BOLT FLANGE M6X100          | 2   |
| 4-5  | GK05842 | GASKET CYLINDER HEAD        | 1   |
| 4-6  | GK05843 | GASKET CARBURETOR INSULATOR | 1   |
| 4-7  | GK05844 | INSULATOR CARBURETOR        | 1   |
| 4-8  | GK05845 | PIPE COMP IN                | 1   |
| 4-9  | GK05846 | BAND INSULATER              | 1   |
| 4-10 | GK05847 | NUT FLANGE M6               | 2   |
| 4-11 | GK05848 | O-RING 28.5X1.8             | 1   |
| 4-12 | GK05849 | PIN DOWEL 10X16             | 4   |
| 4-13 | GK05850 | BOLT 2 STUD M6X35           | 2   |
| 4-14 | GK05851 | BOLT 2 STUD M6X50           | 2   |
| 4-15 | GK05852 | VALVE EX                    | 1   |
| 4-16 | GK05853 | VALVE IN                    | 1   |
| 4-17 | GK05854 | SEAT VALVE SPRING OUTER     | 2   |
| 4-18 | GK05855 | SPRING VALVE OUTER          | 2   |
| 4-19 | GK05856 | SPRING VALVE INNER          | 2   |
| 4-20 | GK05857 | RETAINER VALVE SPRING       | 2   |
| 4-21 | GK05858 | COTTER VALVE                | 4   |

### 5. CARBURETOR



| REF# | TPG#    | DESCRIPTION     | QTY |
|------|---------|-----------------|-----|
| 5-1  | GK05859 | CARBURETOR ASSY | 1   |

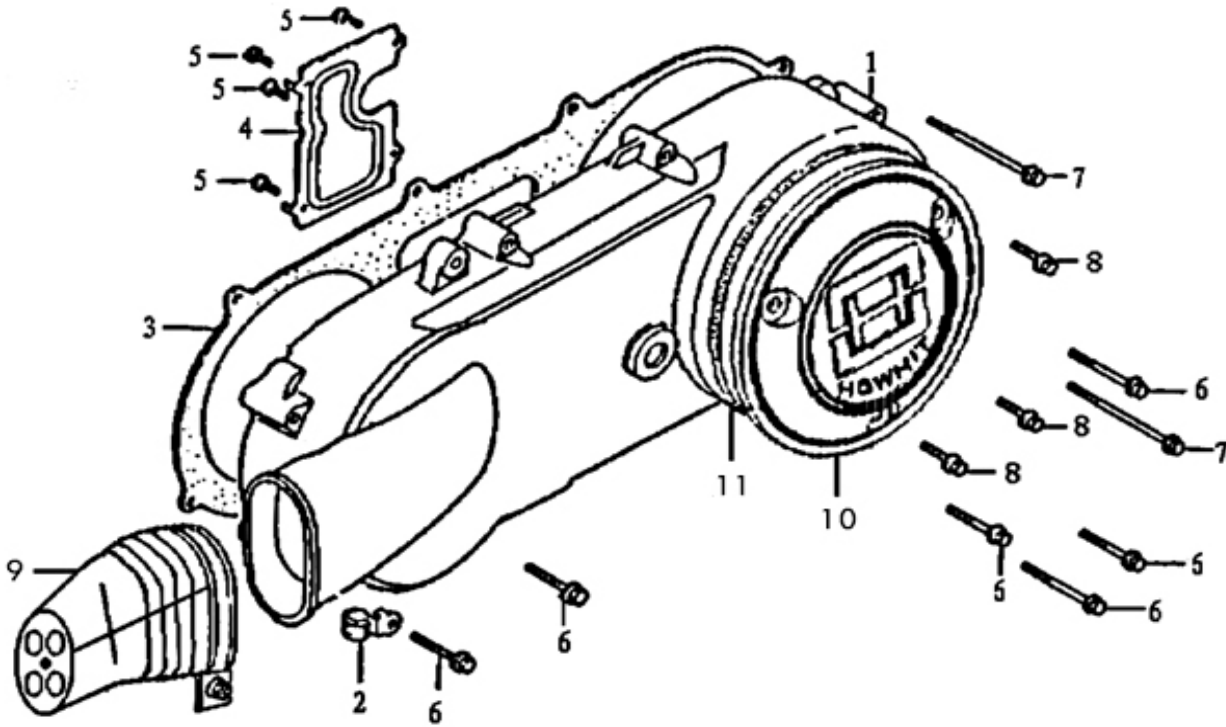
### 6. AIR CLEANER



| REF# | TPG# | DESCRIPTION | QTY |
|------|------|-------------|-----|
|------|------|-------------|-----|

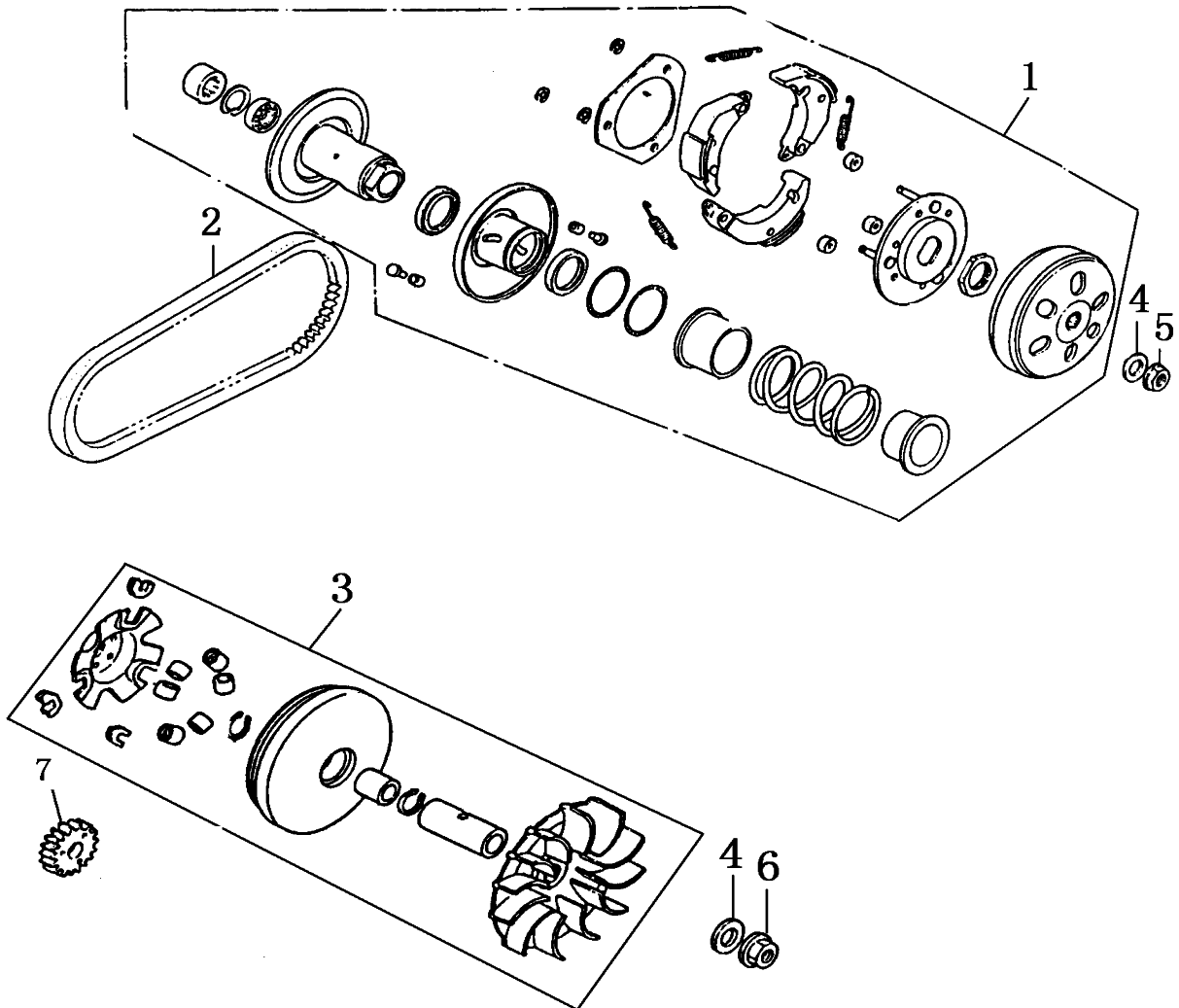
|     |         |                          |   |
|-----|---------|--------------------------|---|
| 6-1 | GK05860 | AIR CLEANER              | 1 |
| 6-2 | GK05861 | ELEMENT COMP AIR CLEANER | 1 |

## 7. LEFT CRANKCASE COVER



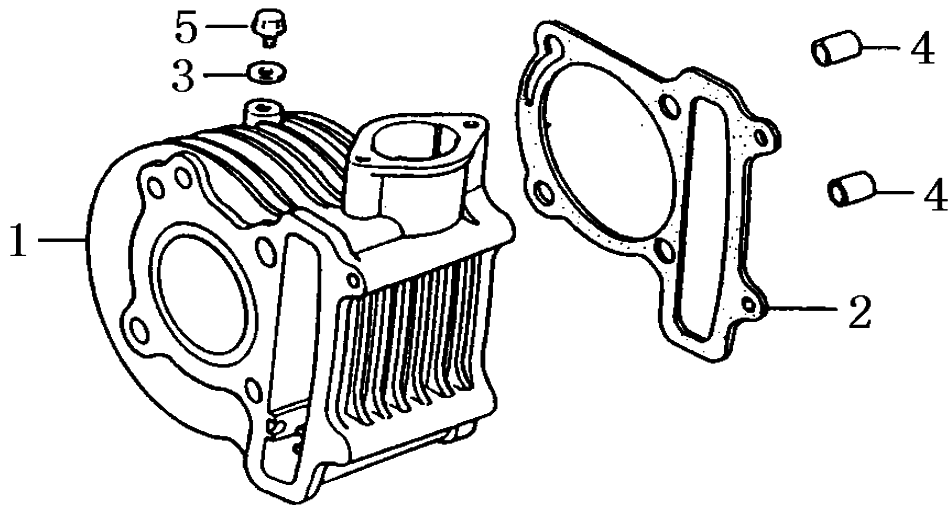
| REF# | TPG#    | DESCRIPTION                 | QTY |
|------|---------|-----------------------------|-----|
| 7-1  | GK05862 | COVER LEFT                  | 1   |
| 7-2  | GK05863 | CLAMPER BREATHER DRAIN TUBE | 1   |
| 7-3  | GK05864 | GASKET LEFT COVER           | 1   |
| 7-4  | GK05865 | PLATE LEFT COVER            | 1   |
| 7-5  | GK05866 | SCREW TAPPING 4X6           | 4   |
| 7-6  | GK05867 | BOLT FLANGE 6X40            | 6   |
| 7-7  | GK05868 | BOLT FLANGE 6X65            | 2   |
| 7-8  | GK05869 | BOLT FLANGE 6X16            | 3   |
| 7-9  | GK05878 | AIR STRAINER                | 1   |
| 7-10 | GK05879 | BRAND COVER                 | 1   |
| 7-11 | GK05880 | GASKET BRAND COVER          | 1   |

## 8. DRIVE PULLEY



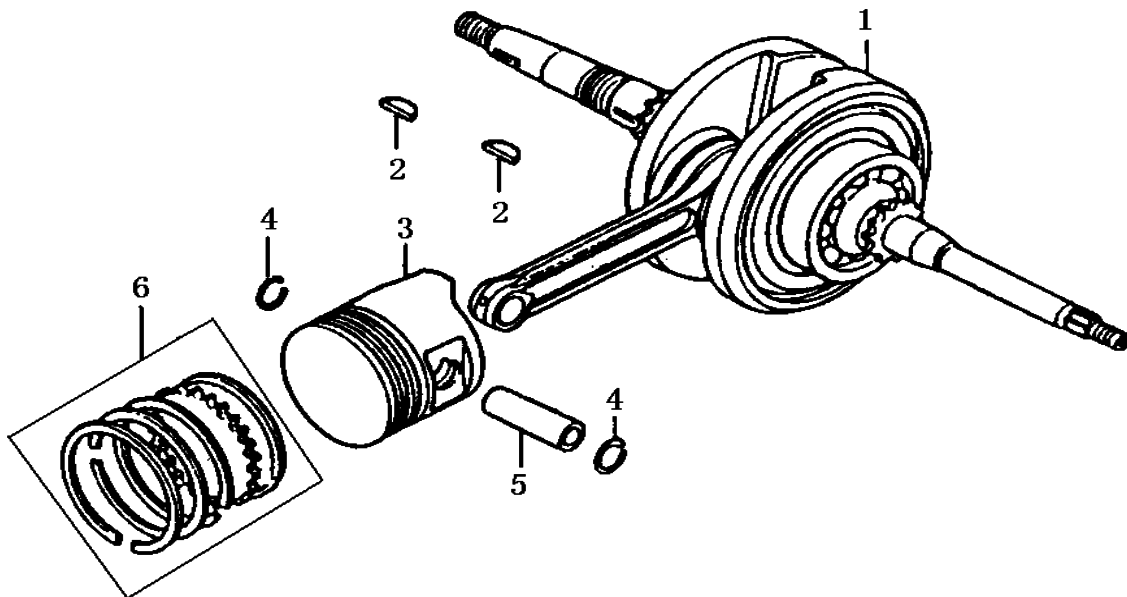
| REF# | TPG#    | DESCRIPTION                 | QTY |
|------|---------|-----------------------------|-----|
| 8-1  | GK05881 | PULLEY ASSY DRIVEN          | 1   |
| 8-2  | GK05882 | BELT DRIVE                  | 1   |
| 8-3  | GK05883 | PULLEY ASSY.MOVEABLE DRIVEN | 1   |
| 8-4  | GK05884 | WASHER PLAIN 12MM           | 2   |
| 8-5  | BS00076 | NUT FLANGE 12X1.25MM        | 1   |
| 8-6  | GK05885 | NUT FLANGE 12X1.25MM        | 1   |
| 8-7  | GK05887 | GEAR KICK                   | 1   |

## 9. CYLINDER COMP



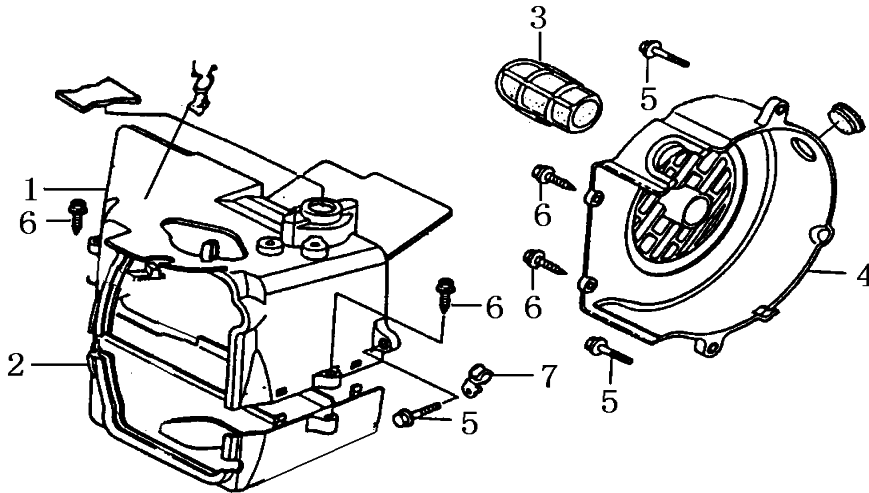
| REF# | TPG#    | DESCRIPTION          | QTY |
|------|---------|----------------------|-----|
| 9-1  | GK05888 | CYLINDER COMP        | 1   |
| 9-2  | GK05889 | GASKET CYLINDER      | 1   |
| 9-3  | GK05890 | WASHER SEALING 6.5MM | 1   |
| 9-4  | BS00077 | PIN DOWEL 10X16      | 2   |
| 9-5  | GK05892 | BOLT FLANGE6X12      | 1   |

## 10. CRANKSHAFT COMP



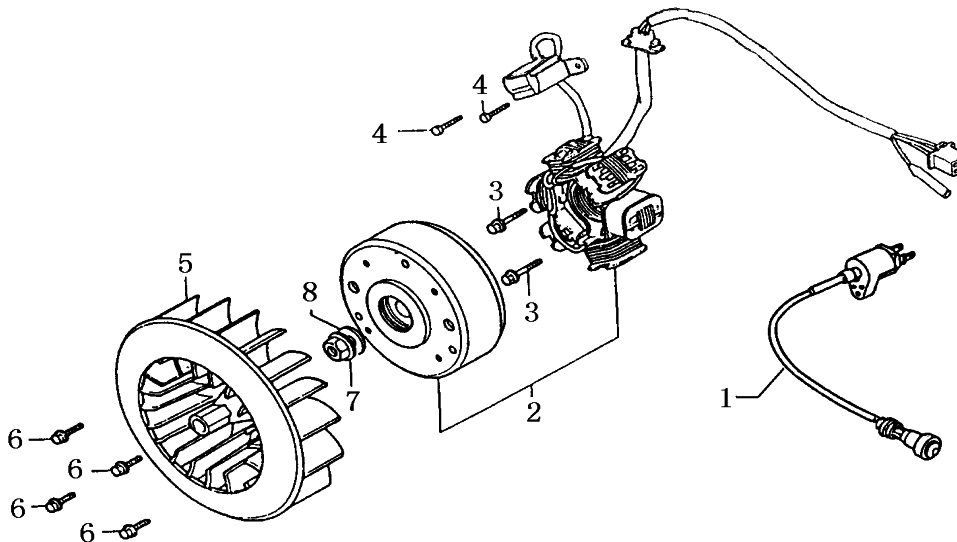
| REF# | TPG#    | DESCRIPTION          | QTY |
|------|---------|----------------------|-----|
| 10-1 | GK05893 | CRANK SHAFT COMP     | 1   |
| 10-2 | GK05894 | KEY WOODRUFF         | 2   |
| 10-3 | GK05895 | PISTON               | 1   |
| 10-4 | GK05896 | CLIP PISTON PIN 15MM | 2   |
| 10-5 | GK05897 | PIN PISTON           | 1   |
| 10-6 | GK05898 | PISTON RING          | 1   |

## 11. FAN COVER SHROUD



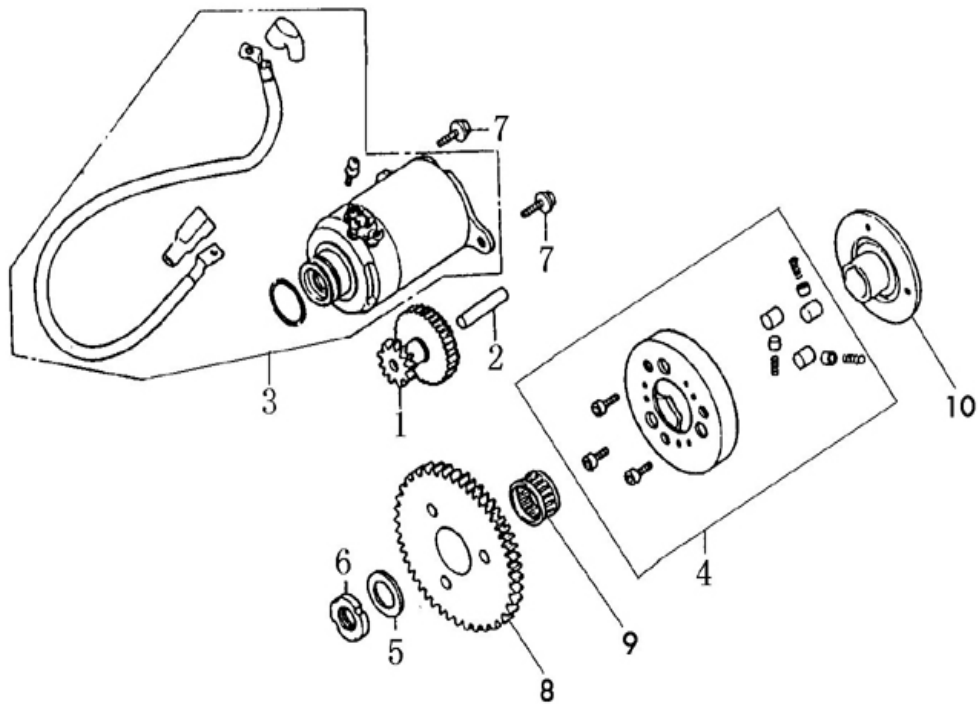
| REF# | TPG#    | DESCRIPTION             | QTY |
|------|---------|-------------------------|-----|
| 11-1 | GK05899 | UP SHROUD COMP          |     |
| 11-2 | GK05900 | DOWN SHROUD COMP        |     |
| 11-3 | GK05901 | DUCT CARBURETOR COOLING | 1   |
| 11-4 | GK05902 | COVER COMP FAN          | 1   |
| 11-5 | GK05903 | BOLT FLANGE 6X25        | 3   |
| 11-6 | GK05904 | SCREW TAPPING ST4.8X16  | 4   |
| 11-7 | GK05905 | CLAMPER CARB DRAIN TUBE | 1   |

## 12. GENERATOR COMP



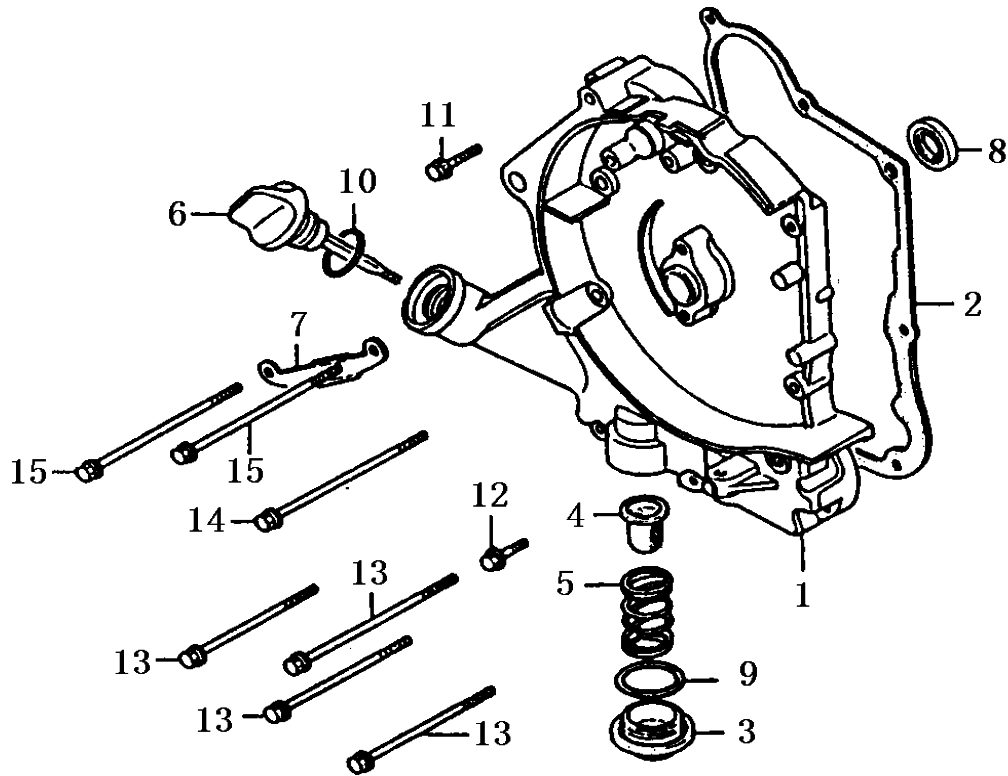
| REF# | TPG#    | DESCRIPTION                      | QTY |
|------|---------|----------------------------------|-----|
| 12-1 | GK05906 | COIL ASSY IGNITION               | 1   |
| 12-2 | GK05907 | GENERATOR ASSY FLYWHEEL TYPE A.C | 1   |
| 12-3 | GK05908 | BOLT FLANGE 6X20                 | 2   |
| 12-4 | GK05909 | BOLT FLANGE 5X12                 | 2   |
| 12-5 | GK05910 | PAN COMP COOLING                 | 1   |
| 12-6 | GK05911 | BOLT FLANGE 6X18                 | 4   |
| 12-7 | BS00078 | NUT FLANGE 12X1.25               | 1   |
| 12-8 | GK05913 | WASHER PLAIN 12MM                | 1   |

### 13. STARTING MOTOR MOTOR STARTER COMP



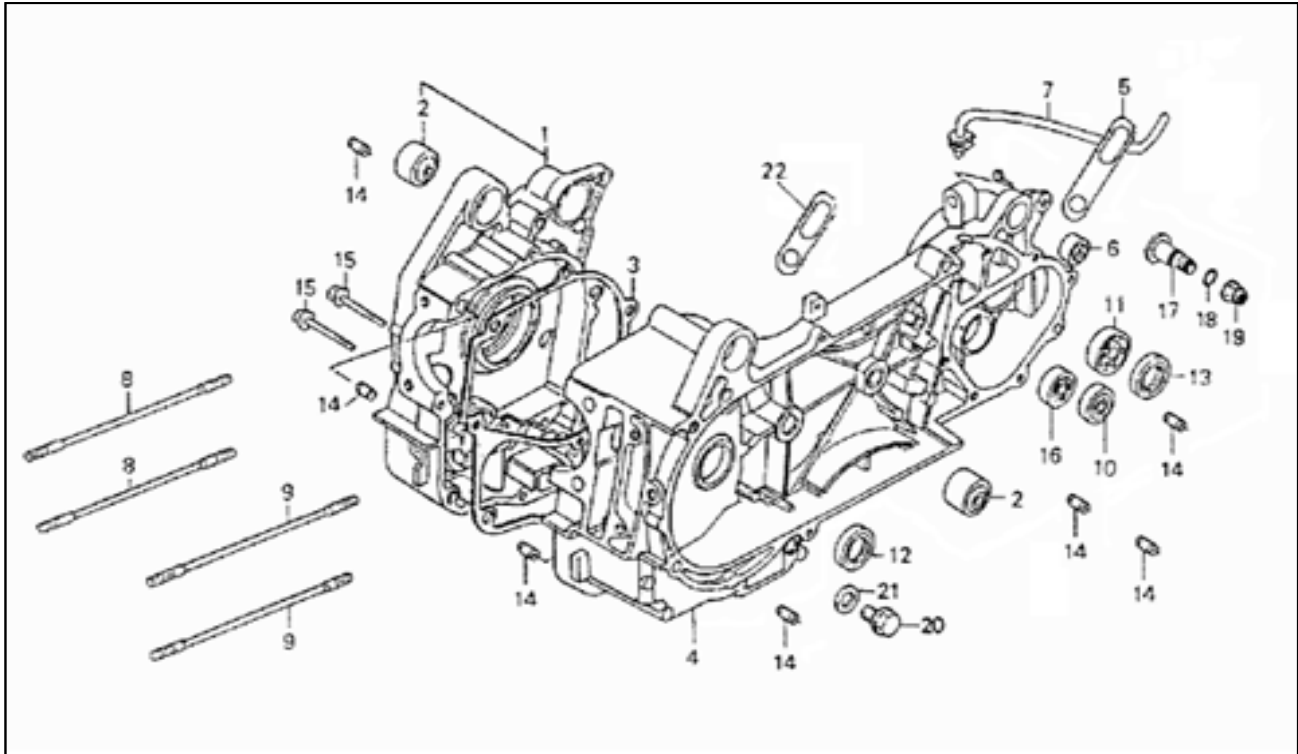
| REF#  | TPG#    | DESCRIPTION                  | QTY |
|-------|---------|------------------------------|-----|
| 13-1  | GK05929 | GEAR STARTER REDUCTION       | 1   |
| 13-2  | GK05930 | SHAFT STARTER REDUCTION GEAR | 1   |
| 13-3  | GK05931 | MOTOR ASSY STARTER           | 1   |
| 13-4  | GK05932 | STARTER CLUTCH               | 1   |
| 13-5  | GK05933 | WASHER THRUST                | 1   |
| 13-6  | GK05934 | NUT LOCK                     | 1   |
| 13-7  | BS00079 | BOLT FLANGE 6X16             | 2   |
| 13-8  | BK00037 | GEAR COMP. STARTING CLUTCH   | 1   |
| 13-9  | BS00081 | BEARING NEEDLE 28X32X17      | 1   |
| 13-10 | BK00038 | FLANGE STARTING CLUTCH       | 1   |

## 14. RIGHT CRANKCASE COVER COMP



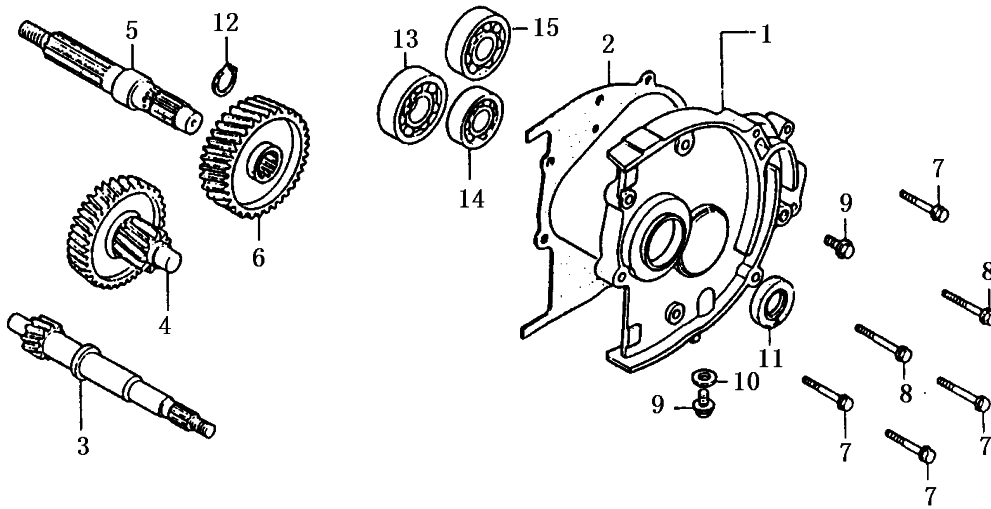
| REF#  | TPG#    | DESCRIPTION                 | QTY |
|-------|---------|-----------------------------|-----|
| 14-1  | GK05914 | RIGHT CRANK CASE COVER      | 1   |
| 14-2  | GK05915 | GASKET R CRANKCASE COVER    | 1   |
| 14-3  | GK05916 | CAP TAPPET ADJUSTING HOLE   | 1   |
| 14-4  | GK05917 | SCREEN OIL FILTER           | 1   |
| 14-5  | GK05918 | SPRING OIL FILTER SCREEN    | 1   |
| 14-6  | GK05919 | GAUGE OIL LEVEL             | 1   |
| 14-7  | GK05920 | CLAMPER A.C. GENERATOR CORD | 1   |
| 14-8  | GK05921 | OIL SEAL 19.8X30X5          | 1   |
| 14-9  | GK05922 | O-RING 18X3                 | 1   |
| 14-10 | GK05923 | O-RING                      | 1   |
| 14-11 | GK05924 | BOLT FLANGE 6X35            | 1   |
| 14-12 | GK05925 | BOLT FLANGE 6X32            | 1   |
| 14-13 | GK05926 | BOLT FLANGE 6X95            | 4   |
| 14-14 | GK05927 | BOLT FLANGE 6X110           | 2   |
| 14-15 | BS00081 | BOLT FLANGE 6X100           | 1   |

## 15. CRANKCASE COMP



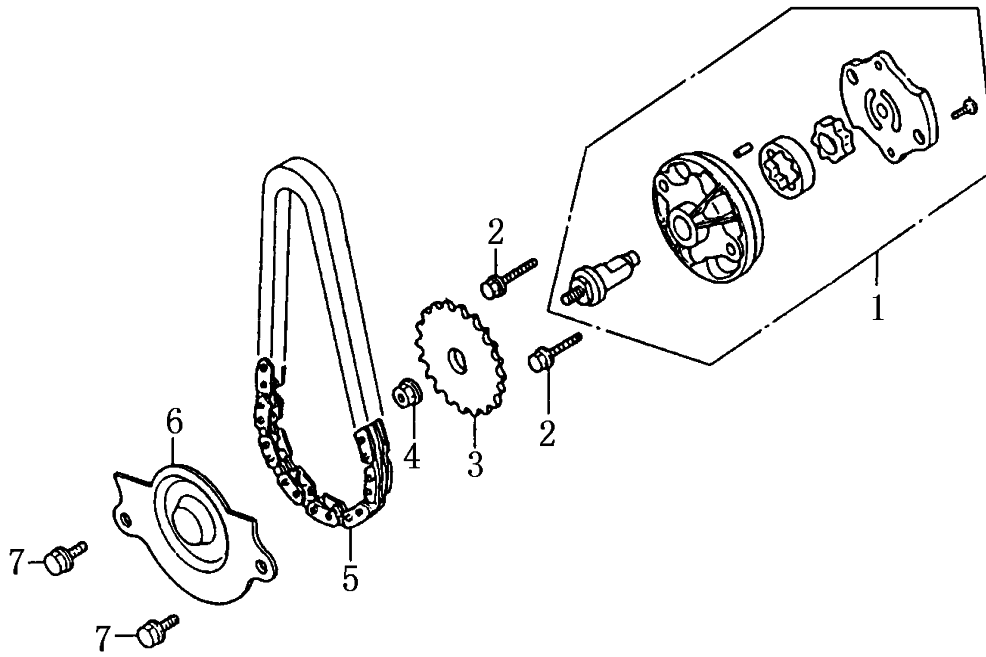
| REF#  | TPG#    | DESCRIPTION                  | QTY |
|-------|---------|------------------------------|-----|
| 15-1  | GK05951 | CRANKCASE ASSY RIGHT         | 1   |
| 15-2  | GK05952 | BUSH ENGINE HANGER RUBBER    | 1   |
| 15-3  | GK05953 | GASKET CRANKCASE             | 1   |
| 15-4  | GK05954 | CRANKCASE ASSY LEFT          | 1   |
| 15-5  | GK05955 | AIR CLEANER CONNECT FRONT    | 1   |
| 15-6  | GK05956 | BUSH RR CUSHION UNDER RUBBER | 1   |
| 15-7  | GK05957 | TUBE BREATHER                | 1   |
| 15-8  | GK05958 | BOLT STUD 8X187              | 2   |
| 15-9  | GK05959 | BOLT STUD 8X195              | 2   |
| 15-10 | BS00082 | BEARING RADIAL BALL 102      | 1   |
| 15-11 | BS00083 | BEARING RADIAL BALL 180104   | 1   |
| 15-12 | BS00084 | OIL SEAL 19.8X30X5           | 1   |
| 15-13 | GK05963 | OIL SEAL 27X42X7             | 1   |
| 15-14 | GK05964 | PIN DOWEL 8X14               | 8   |
| 15-15 | BS00085 | BOLT FLANGE 6X50             | 2   |
| 15-16 | BS00086 | BEARING RADIAL BALL 301      | 1   |
| 15-17 | GK05967 | PIN BRAKE SHOE ANCHOR        | 1   |
| 15-18 | GK05968 | O-RING 7.5X1.5               | 1   |
| 15-19 | BS00087 | NUT FLANGE M8                | 1   |
| 15-20 | GK05970 | BOLT DRAIN PLUG 12MM         | 1   |
| 15-21 | GK05971 | WASHER DRAIN PLUG 12MM       | 1   |
| 15-22 | GK05972 | AIR CLEANER CONNECT REAR     | 1   |

## 16. TRANSMISSION COMP



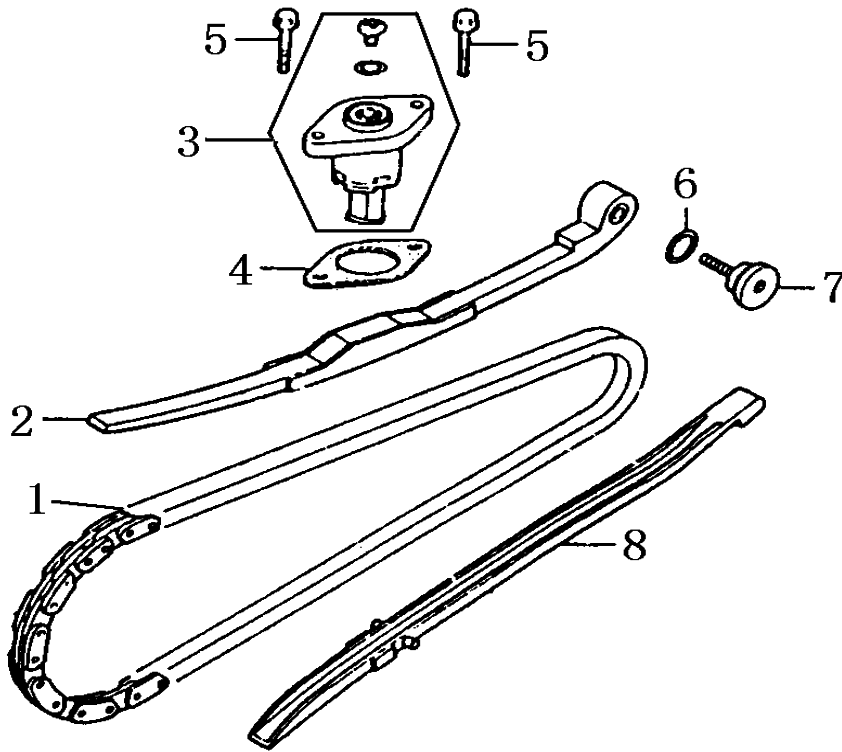
| REF#  | TPG#    | DESCRIPTION            | QTY |
|-------|---------|------------------------|-----|
| 16-1  | GK05936 | COVER MISSION ASSY     | 1   |
| 16-2  | GK05937 | GASKET MISSION COVER   | 1   |
| 16-3  | GK05938 | SHAFT DRIVE            | 1   |
| 16-4  | GK05939 | SHAFT COMP COUNTER     | 1   |
| 16-5  | GK05940 | SHAFT FINAL            | 1   |
| 16-6  | GK05941 | GEAR FINAL             | 1   |
| 16-7  | BS00088 | BOLT FLANGE 6X35       | 3   |
| 16-8  | GK05943 | BOLT FLANGE 6X28       | 3   |
| 16-9  | GK05944 | BOLT DRAIN PLUG M8     | 2   |
| 16-10 | GK05945 | WASHER 8MM             | 2   |
| 16-11 | GK05946 | OIL SEAL 20X32X16      | 1   |
| 16-12 | GK05947 | CIR CLIP EXTERNAL 20MM | 1   |
| 16-13 | GK05948 | BEARING RADIAL 204     | 1   |
| 16-14 | GK05949 | BEARUING RADIAL 202    | 1   |
| 16-15 | GK05950 | BEARUING RADIAL 203    | 1   |

## 17. OIL PUMP COMP



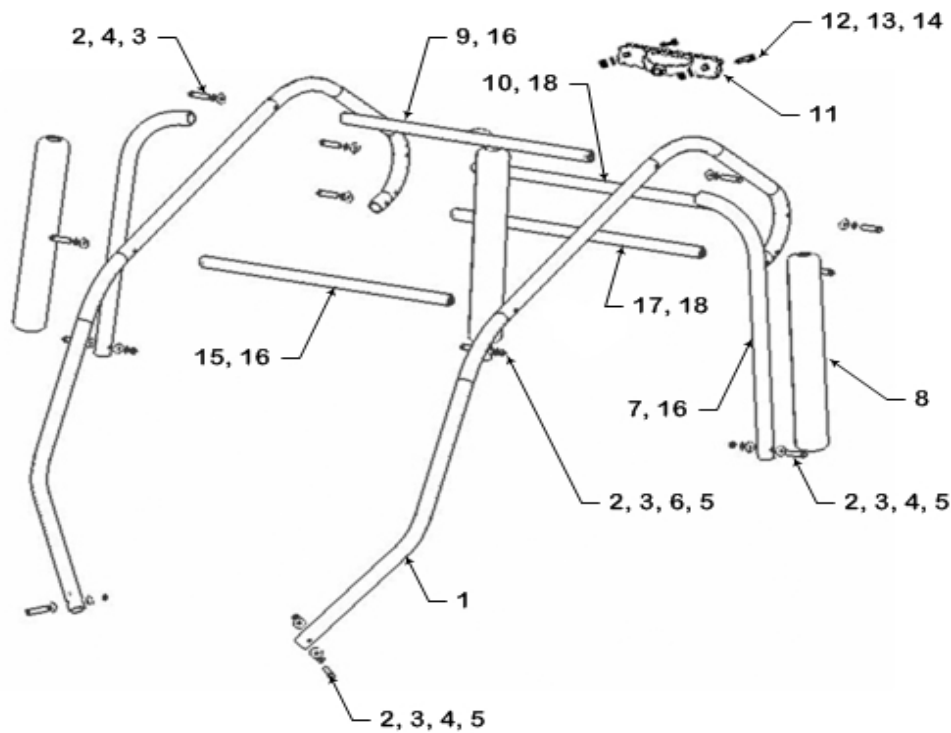
| REF# | TPG#    | DESCRIPTION              | QTY |
|------|---------|--------------------------|-----|
| 17-1 | GK05973 | OIL PUMP COMP            | 1   |
| 17-2 | BS00075 | BOLT FLANGE 6X25         | 2   |
| 17-3 | GK05975 | SPROCKET OIL PUMP DRIVEN | 1   |
| 17-4 | BS00089 | NUT FLANGE M6            | 1   |
| 17-5 | GK05977 | CHAIN OIL PUMP           | 1   |
| 17-6 | GK05978 | SEPARTOR OIL             | 1   |
| 17-7 | BS00090 | BOLT FLANGE 6X12         | 2   |

## 18. CHAIN CAM COMP



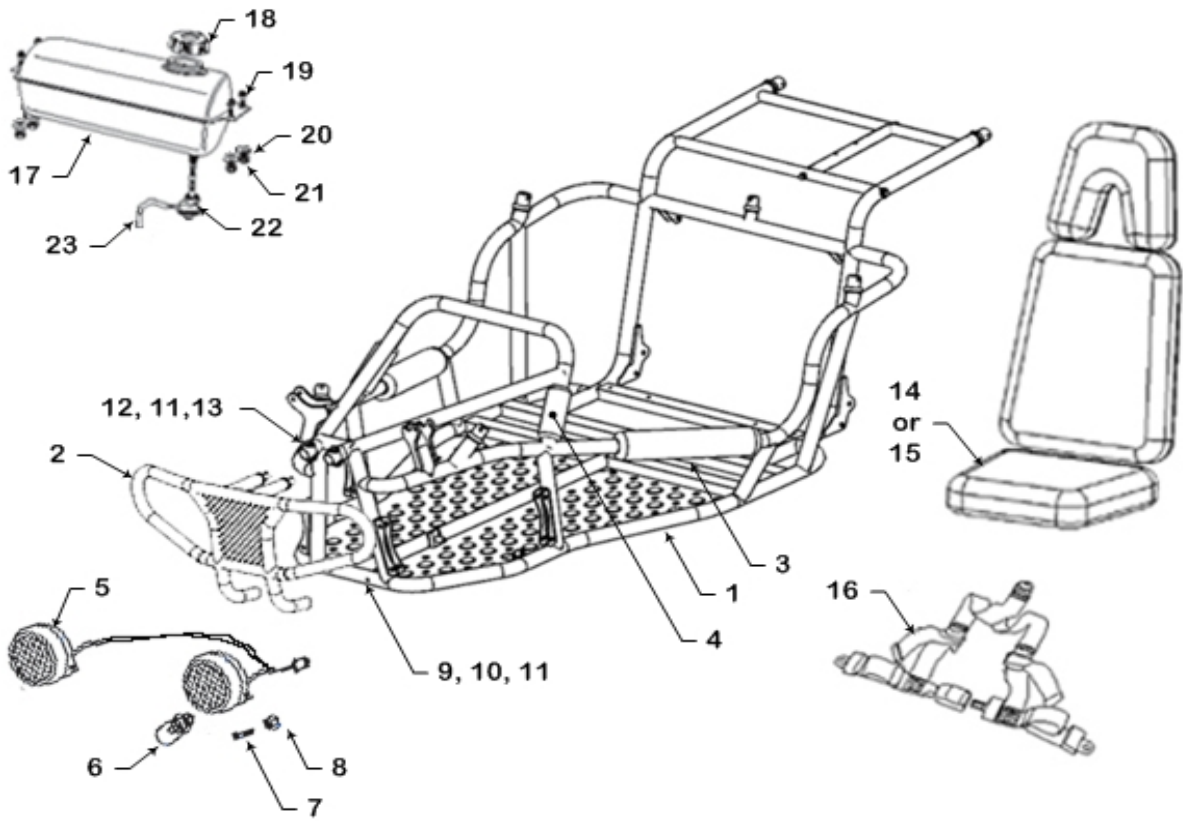
| REF# | TPG#    | DESCRIPTION               | QTY |
|------|---------|---------------------------|-----|
| 18-1 | GK05980 | CHAIN CAM                 | 1   |
| 18-2 | GK05981 | TENSIONER CAM CHAIN COMP  | 1   |
| 18-3 | GK05982 | LIFTER ASSY TENSIONER     | 1   |
| 18-4 | GK05983 | GASKET TENSIONER LIFTER   | 1   |
| 18-5 | GK05984 | BOLT FLANGE 6X22          | 2   |
| 18-6 | GK05985 | O-RING 15.2X1.5           | 1   |
| 18-7 | GK05986 | PIVOT CAM CHAON TENSIONER | 1   |
| 18-8 | GK05987 | GUIDE COMP CAM CHAIN      | 1   |

## 19. BRUSH GUARD



| REF#   | TPG#    | DESCRIPTION                        | QTY |
|--------|---------|------------------------------------|-----|
| 19-1.1 | BP00003 | GUARD SIDE RAIL LH                 | 1   |
| 19-1.2 | BP00002 | GUARD SIDE RAIL RH                 | 1   |
| 19-2   | BS00091 | BOLT M8 X 45                       | 13  |
| 19-3   | BS00092 | WASHER LOCK M8                     | 13  |
| 19-4   | BS00093 | WASHER SPHERICAL M8-32             | 16  |
| 19-5   | BS00094 | NUT M8                             | 5   |
| 19-6   | BS00095 | WASHER SPHERICAL M8-25             | 2   |
| 19-7.1 | BL00040 | GUARD VERTICAL RAIL LH             | 1   |
| 19-7.2 | BL00041 | GUARD VERTICAL RAIL RH             | 1   |
| 19-8   | BR00053 | PADDING FRAME LONG                 | 3   |
| 19-9   | BL00085 | FRAME CROSS MEMBER T-BAR           | 1   |
| 19-10  | BL00135 | FRAME BRAKE LIGHT MNT TUBE         | 1   |
| 19-11  | BK00035 | BRAKE LIGHT                        | 1   |
| 19-12  | NA      | BOLT M4 X 25 (Included in 19-11)   | 2   |
| 19-13  | NA      | WASHER LOCK M4 (Included in 19-11) | 2   |
| 19-14  | NA      | NUT M4 (Included in 19-11)         | 2   |
| 19-15  | BL00083 | FRAME CROSS MEMBER UPPER           | 1   |
| 19-16  | BL00135 | FRAME END CAP SEAT, LARGE          | 6   |
| 19-17  | BL00137 | FRAME CROSS MEMBER UPPER           | 1   |
| 19-18  | BL00138 | FRAME END CAP SEAT, SMALL          | 4   |

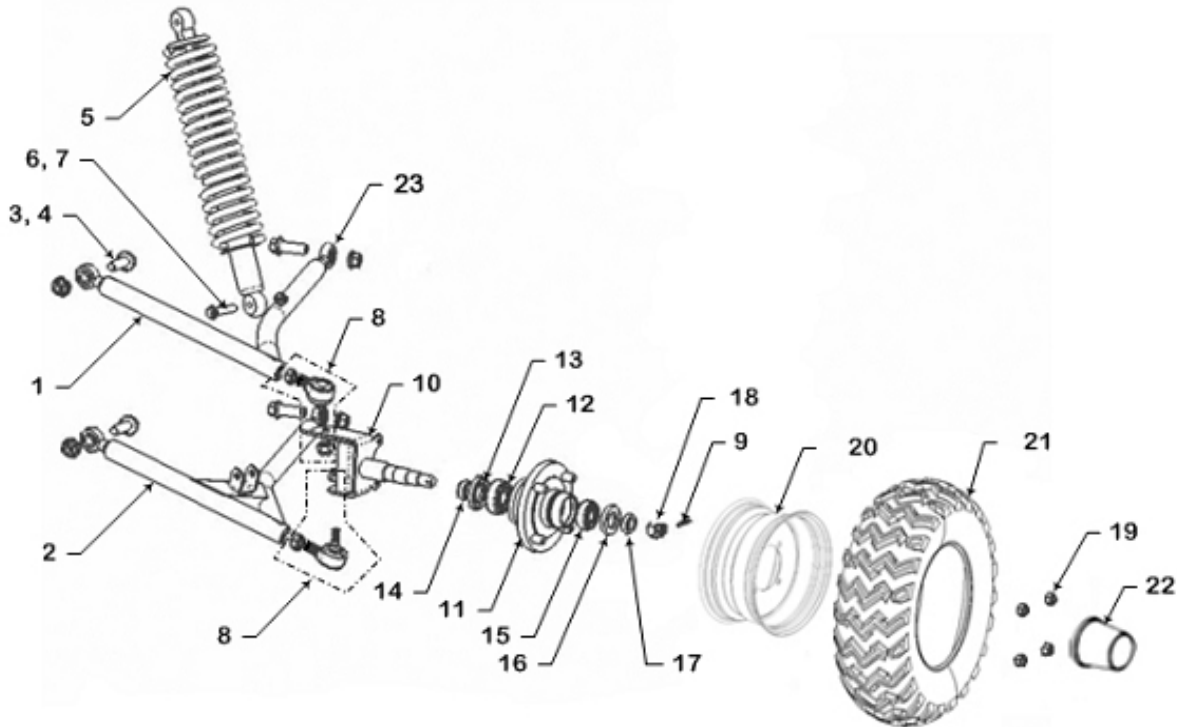
## 20. FRAME GROUP



| REF#  | TPG#    | DESCRIPTION                     | QTY |
|-------|---------|---------------------------------|-----|
| 20-1  | BL00072 | MAIN FRAME                      | 1   |
| 20-2  | BL00131 | FRONT BRUSHGUARD                | 1   |
| 20-3  | BR00054 | PADDING FRAME 6"                | 2   |
| 20-4  | BR00052 | PADDING FRAME SHORT             | 2   |
| 20-5  | BK00030 | HEADLIGHT SET                   | 1   |
| 20-6  | BK00033 | HEADLIGHT BULB                  | 2   |
| 20-7  | BS00100 | BOLT M6 X 40                    | 2   |
| 20-8  | BS00102 | NUT LOCKING FLANGE M6           | 2   |
| 20-9  | BS00099 | BOLT HHCS M8 X 50               | 2   |
| 20-10 | BS00092 | WASHER LOCK M8                  | 10  |
| 20-11 | BS00093 | WASHER SPHERICAL M8             | 12  |
| 20-12 | BS00091 | BOLT HHCS M8 X 45               | 6   |
| 20-13 | BS00094 | NUT M8                          | 2   |
| 20-14 | BM00003 | SEAT, DRIVER, ADJUSTABLE        | 1   |
| 20-15 | BM00006 | SEAT, PASSENGER, NON-ADJUSTABLE | 1   |
| 20-16 | BM00005 | SEAT BELT                       | 2   |

|       |         |                          |   |
|-------|---------|--------------------------|---|
| 20-17 | BE00004 | GAS TANK                 | 1 |
| 20-18 | BE00005 | GAS TANK CAP             | 1 |
| 20-19 | BS00101 | BOLT-WASHER M8x1.25x25   | 4 |
| 20-20 | BS00103 | RUBBER MOUNT WASHER FLAT | 4 |
| 20-21 | BS00104 | NUT, FLANGE LOCK M8      | 4 |
| 20-22 | BE00007 | COCK, FUEL SA            | 1 |
| 20-23 | BE00008 | TUBE COMP. FUEL. #1      | 1 |
| 20-24 | BE00011 | FUEL FILTER (not shown)  | 1 |

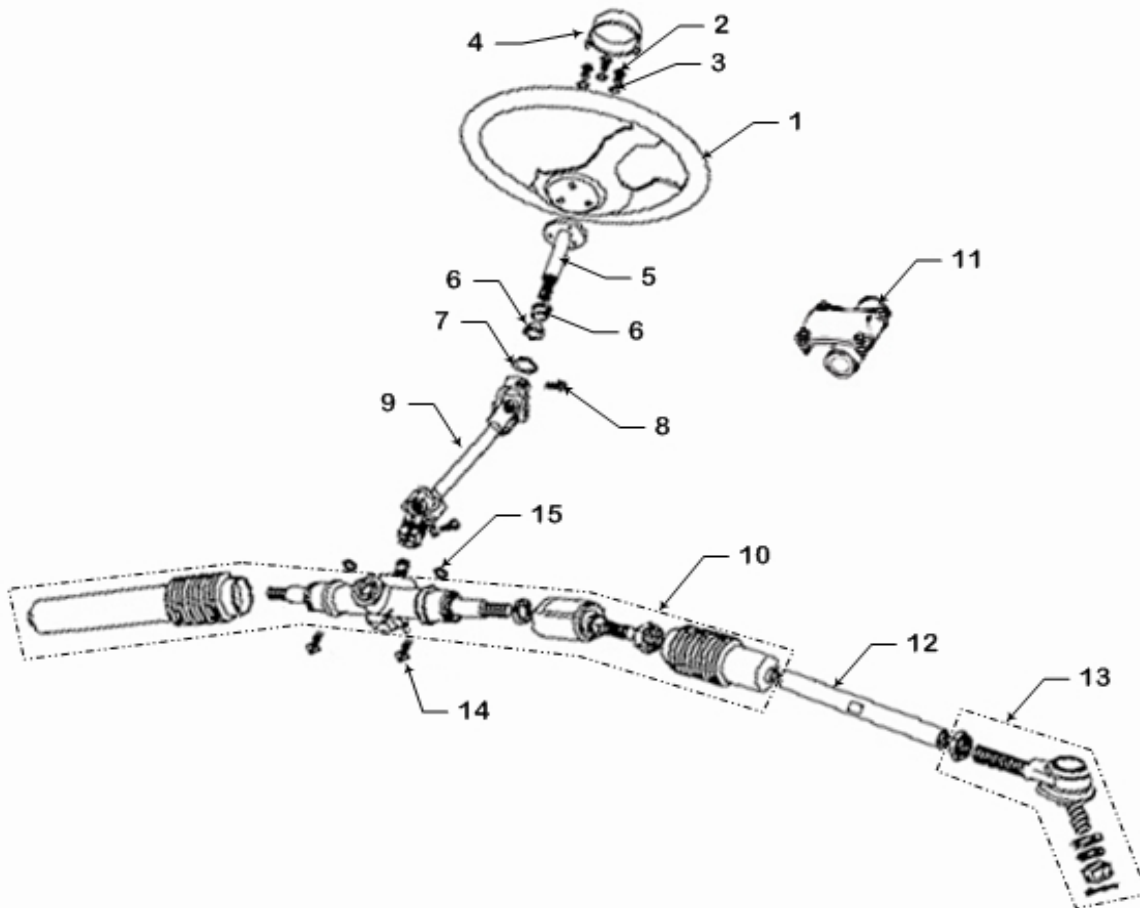
## 21. FRONT SUSPENSION



| REF#    | TPG#    | DESCRIPTION          | QTY |
|---------|---------|----------------------|-----|
| 21-1    | BJ00005 | A-ARM UPPER          | 2   |
| 21-2.1  | BJ00006 | A-ARM LOWER LH       | 1   |
| 21-2.2  | BJ00026 | A-ARM LOWER RH       | 1   |
| 21-3    | BS00105 | BOLT HHFS M12 X 40   | 8   |
| 21-4    | BS00106 | NUT FLANGE M12       | 8   |
| 21-5    | BJ00021 | SHOCK FRONT          | 2   |
| 21-6    | BS00107 | BOLT HHFS M8 X 40    | 2   |
| 21-7    | BS00087 | NUT FLANGE M8        | 2   |
| 21-8    | BJ00047 | BALL JOINT           | 4   |
| 21-9    | BS00109 | PIN SPLIT 3.2 X 25   | 2   |
| 21-10.1 | BB00015 | SPINDLE FRONT LH     | 1   |
| 21-10.2 | BB00013 | SPINDLE FRONT RH     | 1   |
| 21-11   | BB00028 | WHEEL HUB WITH STUDS | 2   |
| 21-12   | BS00110 | BEARING              | 2   |
| 21-13   | BS00111 | BEARING SEAL         | 2   |
| 21-14   | BS00112 | BUSHING BRASS        | 2   |

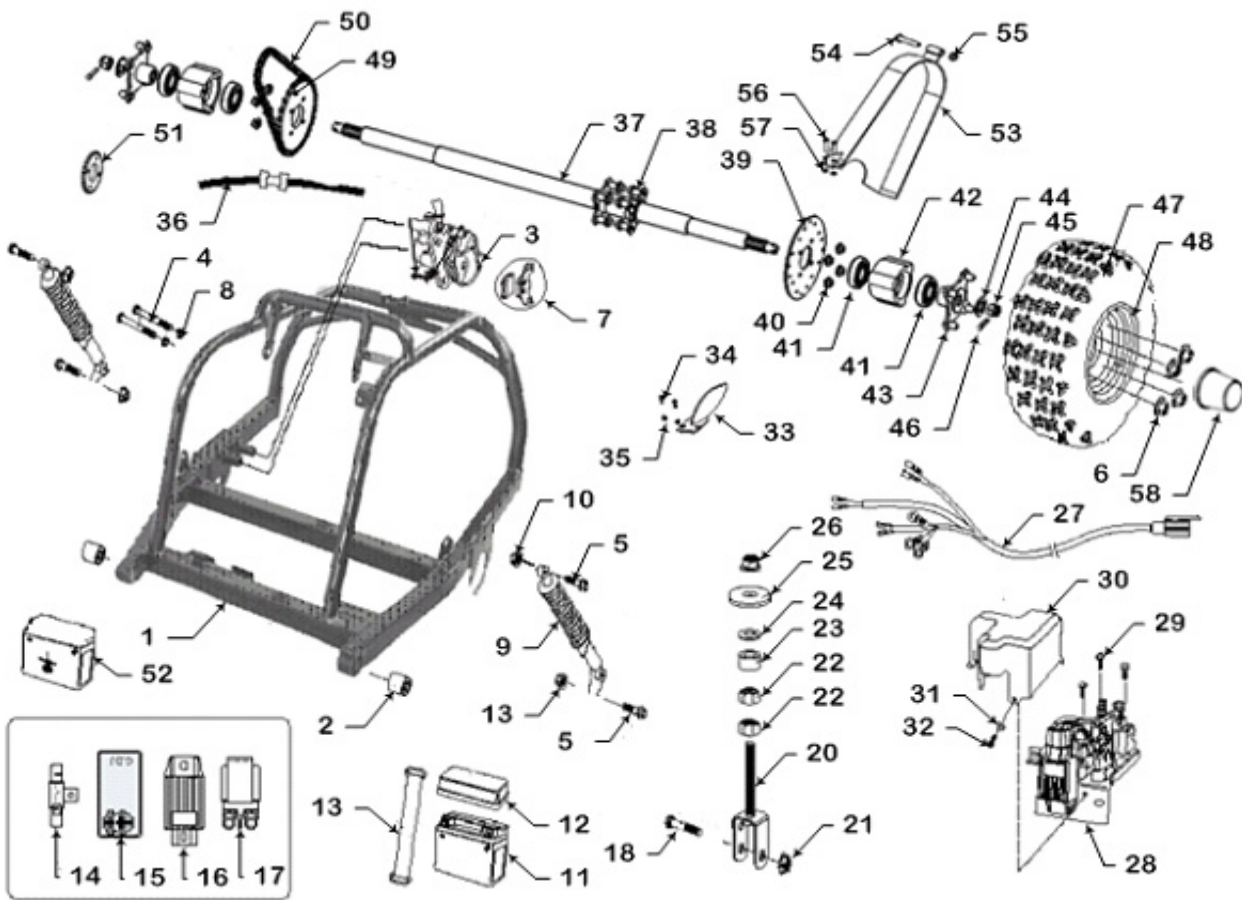
|       |         |                     |   |
|-------|---------|---------------------|---|
| 21-15 | BS00113 | BEARING             | 2 |
| 21-16 | BS00114 | BEARING SEAL        | 2 |
| 21-17 | BS00115 | BUSHING BRASS       | 2 |
| 21-18 | BS00116 | NUT CASTLE M14      | 2 |
| 21-19 | BS00117 | NUT M10             | 8 |
| 21-20 | BA00026 | WHEEL               | 2 |
| 21-21 | BA00022 | TIRE FRONT          | 2 |
| 21-22 | BA00028 | CAP, HUB            | 2 |
| 21-23 | BJ00051 | ROD END BEARING M12 | 8 |

## 22. STEERING



| REF#  | TPG#    | DESCRIPTION                   | QTY |
|-------|---------|-------------------------------|-----|
| 22-1  | BG00017 | STEERING WHEEL                | 1   |
| 22-2  | BS00119 | BOLT HHCS M6x12               | 3   |
| 22-3  | BS00120 | WASHER LOCK M6                | 3   |
| 22-4  | BG00029 | COVER. STEERING BOLT          | 1   |
| 22-5  | BG00021 | STEERING SHAFT                | 1   |
| 22-6  | BS00063 | BUSH. STEERING SHAFT          | 2   |
| 22-7  | BS00121 | CIRCLIP 20                    | 1   |
| 22-8  | BS00122 | BOLT HHCS M8x25               | 2   |
| 22-9  | BG00016 | STEERING KNUCKLE              | 1   |
| 22-10 | BG00018 | STEERING GEAR                 | 1   |
| 22-11 | BG00022 | STEERING COLUMN MOUNT SUPPORT | 1   |
| 22-12 | BJ00048 | TIE ROD                       | 2   |
| 22-13 | BJ00049 | ROD END ASSY.                 | 2   |
| 22-14 | BS00101 | BOLT HHCS M8x60               | 2   |
| 22-15 | BS00094 | NUT M8                        | 2   |

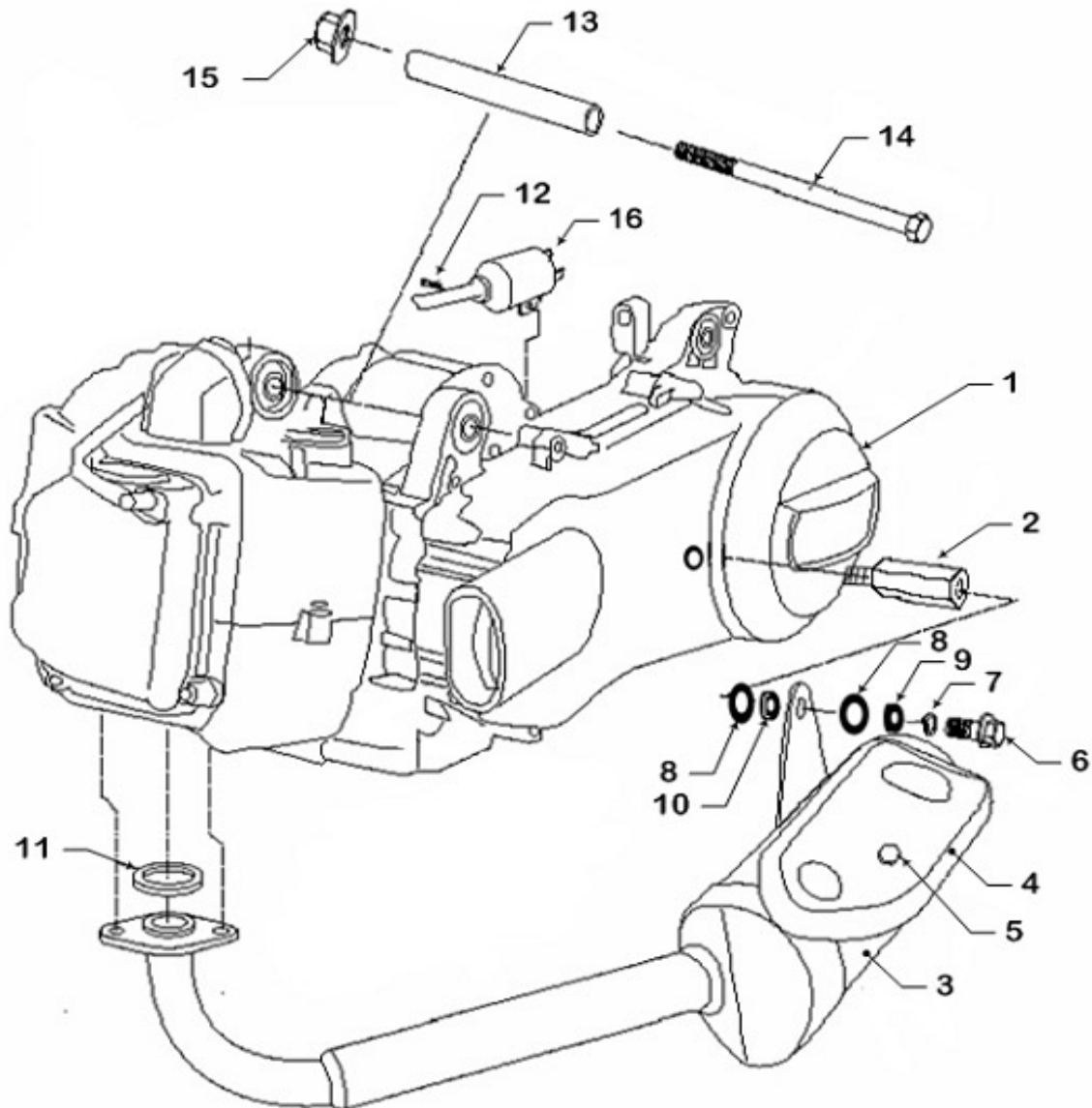
## 23. REAR SUSPENSION / AXLE



| REF#  | TPG#    | DESCRIPTION   | QTY |
|-------|---------|---|-----|
| 23-1  | BL00038 | RR. SWINGARM  | 1   |
| 23-2  | BJ00050 | RUBBER BUSH, RR. SWINGARM                                   | 2   |
| 23-3  | BB00034 | BRAKE SYSTEM: Caliper, Master Cyl. & Hose                   | 1   |
| 23-4  | BS00132 | STRAP BOLT M8x1.25x156                                      | 2   |
| 23-5  | NA      | FLANGE BOLT M10x1.25x40                                     | 4   |
| 23-6  | NA      | LOCKING FLANGE NUT M10                                      | 2   |
| 23-7  | BB00035 | BRAKE PADS  | 2   |
| 23-8  | BS00092 | LOCKING WASHER M8   | 2   |
| 23-9  | BJ00029 | REAR SHOCK  | 2   |
| 23-10 | BS00126 | NUT FLANGE M10X1.25   | 4   |
| 23-11 | NA      | BATTERY (SOURCED LOCALLY FROM SERVICE CENTER ONLY-YTX7L-BS) | 1   |
| 23-12 | BK00039 | BATTERY COVER   | 1   |
| 23-13 | BK00040 | BATTERY STRAP   | 1   |
| 23-14 | BK00041 | RESISTER  | 1   |
| 23-15 | BK00042 | CDI   | 1   |
| 23-16 | BK00043 | RECTIFIER COMP., REGULATE                                   | 1   |
| 23-17 | BK00044 | STARTING RELAY  | 1   |
| 23-18 | BS00135 | FLANGE BOLT M10x1.25x45                                     | 1   |
| 23-19 | NA      |   | 1   |
| 23-20 | BS00137 | RR. ENGINE BRACKET  | 1   |

|       |         |                                |   |
|-------|---------|--------------------------------|---|
| 23-21 | BS00168 | LOCKNUT M10X1.25               | 1 |
| 23-22 | BS00138 | JAM NUT M12                    | 2 |
| 23-23 | BS00140 | ENGINE MOUNT SPACER LINK       | 1 |
| 23-24 | BS00141 | ENGINE MOUNT CUSHION LINK      | 1 |
| 23-25 | BS00142 | FLAT WASHER M12                | 1 |
| 23-26 | BS00106 | NUT FLANGE M12X1.25            | 1 |
| 23-27 | BK00045 | WIRING HARNESS                 | 1 |
| 23-28 | BK00046 | ELECTRICAL BOX (NO COMPONENTS) | 1 |
| 23-29 | BS00143 | BOLT STUD M5X15                | 3 |
| 23-30 | BK00047 | COVER, ELECTRICAL BOX          | 1 |
| 23-31 | BS00144 | WASHER M4                      | 1 |
| 23-32 | BS00145 | BOLT STUD M4X10                | 1 |
| 23-33 | BB00036 | REAR DISC COVER                | 1 |
| 23-34 | BS00146 | FLANGE BOLT M6x16              | 2 |
| 23-35 | BS00147 | LOCKING NYLON NUT, M6          | 2 |
| 23-36 | NA      | BRAKE LINE REAR (SEE 23-3)     | 1 |
| 23-37 | BB00016 | AXLE                           | 1 |
| 23-38 | BS00148 | BOLT HHFS M8 X 25              | 8 |
| 23-39 | BB00018 | BRAKE DISK                     | 1 |
| 23-40 | BS00104 | NUT FLANGE M9                  | 8 |
| 23-41 | BS00149 | BEARING                        | 4 |
| 23-42 | BB00019 | BEARING BASE                   | 2 |
| 23-43 | BB00022 | WHEEL HUB WITH STUDS           | 2 |
| 23-44 | BS00150 | WASHER 16                      | 2 |
| 23-45 | BS00151 | NUT FLANGE M16X1.5             | 2 |
| 23-46 | BS00152 | PIN SPECIAL4X35                | 2 |
| 23-47 | BA00023 | RR. TIRE                       | 2 |
| 23-48 | BA00027 | RR. RIM                        | 2 |
| 23-49 | BC00158 | SPROCKET, DRIVEN               | 1 |
| 23-50 | BC00159 | CHAIN, DRIVE (O-RING)          | 1 |
| 23-51 | BC00157 | SPROCKET, DRIVE                | 1 |
| 23-52 | BK00036 | CHARGER, BATTERY               | 1 |
| 23-53 | BC00162 | GUARD, CHAIN                   | 1 |
| 23-54 | BS00153 | BOLT, HHFS M8X60               | 1 |
| 23-55 | BS00104 | NUT, FLANGE LOCK M8            | 1 |
| 23-56 | BS00075 | BOLT, HHFS M6X25               | 2 |
| 23-57 | BS00076 | NUT, FLANGE LOCK M6            | 2 |
| 23-58 | BA00028 | CAP, HUB                       | 2 |

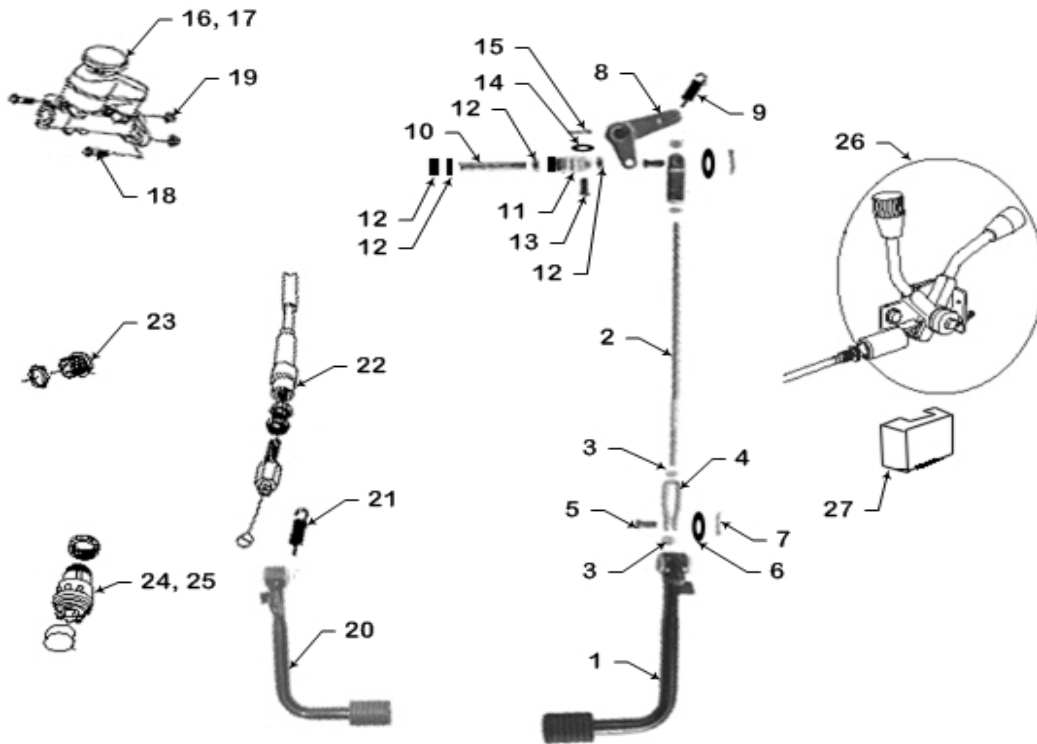
## 24. MUFFLER



| REF#  | TPG#    | DESCRIPTION                 | QTY |
|-------|---------|-----------------------------|-----|
| 24-1  | BC00163 | ENGINE                      | 1   |
| 24-2  | BF00012 | MUFFLER MOUNT               | 1   |
| 24-3  | BF00009 | MUFFLER                     | 1   |
| 24-4  | BF00010 | PROTECTOR MUFFLER           | 1   |
| 24-5  | BS00119 | BOLT HHCS M6 X 12           | 1   |
| 24-6  | BS00123 | BOLT-WASHER M10 X 1.25 X 20 | 1   |
| 24-7  | BS00124 | WASHER LOCK M10             | 1   |
| 24-8  | BS00127 | WASHER, FLAT M10            | 2   |
| 24-9  | BS00128 | BUSHING, ISOLATOR, RUBBER   | 1   |
| 24-10 | BS00129 | BUSHING, SPACER             | 1   |
| 24-11 | BF00011 | GASKET EXHAUST PIPE         | 1   |
| 24-12 | BS00125 | BOLT STUD M6X25             | 1   |
| 24-13 | BS00130 | FR. FIXING COLLAR, ENGINE   | 1   |
| 24-14 | BS00131 | FR. HANGED BOLT, ENGINE     | 1   |

|       |         |                     |   |
|-------|---------|---------------------|---|
| 24-15 | BS00126 | NUT FLANGE M10X1.25 | 1 |
| 24-16 | BK00048 | IGNITION COIL       | 1 |

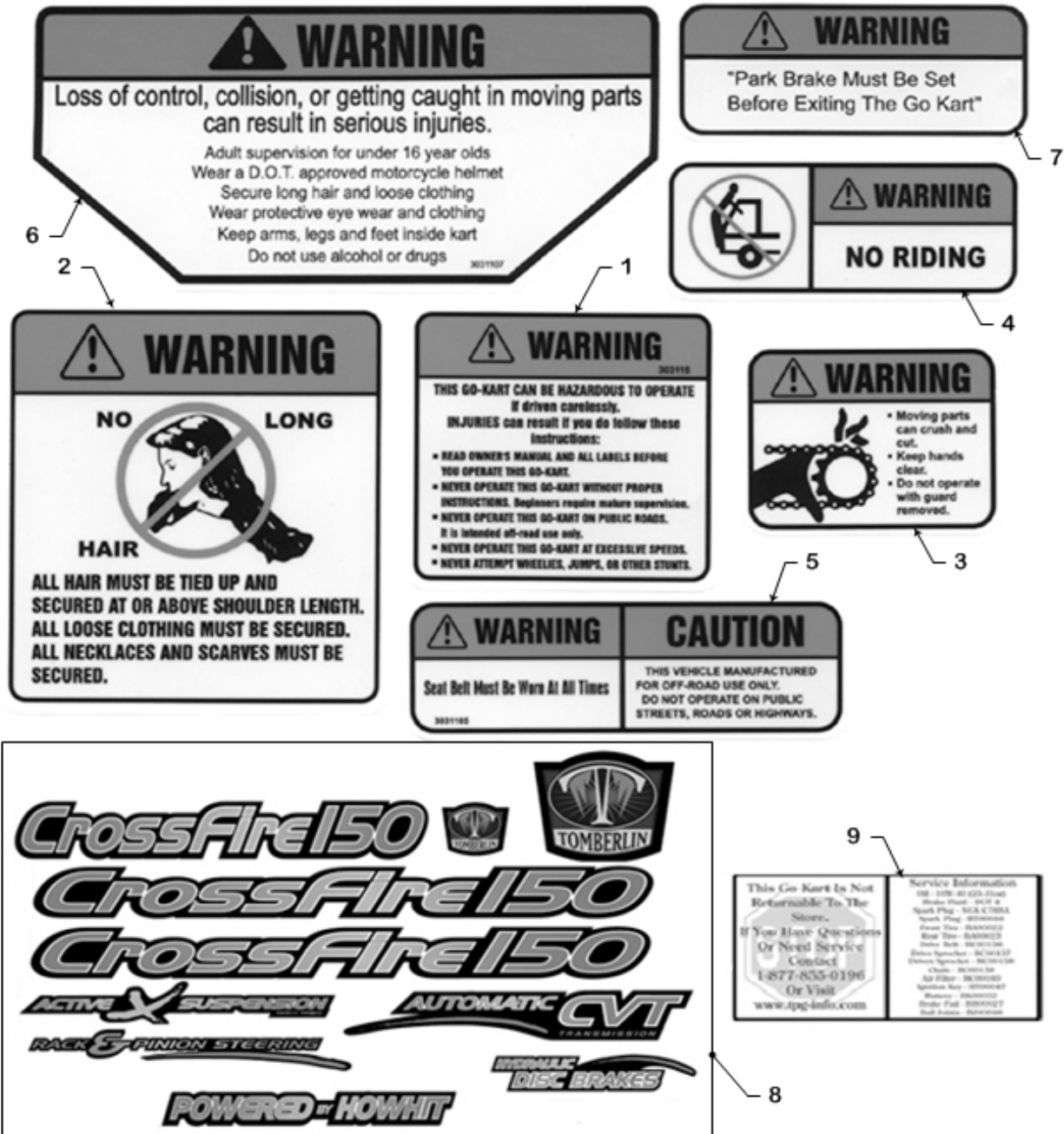
## 25. CONTROLS



| REF#  | TPG#    | DESCRIPTION                       | QTY |
|-------|---------|-----------------------------------|-----|
| 25-1  | BH00006 | BRAKE PEDAL                       | 1   |
| 25-2  | BH00008 | BRAKE ROD                         | 1   |
| 25-3  | BS00154 | NUT , JAM M6                      | 4   |
| 25-4  | BS00155 | BRAKE GEMEL 6MM                   | 2   |
| 25-5  | BS00156 | PIN                               | 2   |
| 25-6  | BS00157 | WASHER, FLAT                      | 2   |
| 25-7  | BS00158 | PIN, COTTER                       | 2   |
| 25-8  | BS00159 | BRAKE ARM                         | 1   |
| 25-9  | BH00025 | BRAKE SPRING                      | 1   |
| 25-10 | BB00030 | MASTER CYL ROD                    | 1   |
| 25-11 | BS00160 | BRAKE GEMEL 8MM                   | 1   |
| 25-12 | BS00161 | NUT, JAM M8                       | 4   |
| 25-13 | BS00162 | PIN B 6X16                        | 1   |
| 25-14 | BS00163 | WASHER, FLAT M6                   | 1   |
| 25-15 | BS00164 | PIN SPECIAL2X24                   | 1   |
| 25-16 | NA      | MASTER CYLINDER (SEE 23-3)        | 1   |
| 25-17 | NA      | BRAKE, PRESSURE SWITCH (SEE 23-3) | 1   |
| 25-18 | BS00167 | BOLT STUD M8X30                   | 2   |
| 25-19 | BS00104 | NUT, FLANGE M8                    | 2   |
| 25-20 | BH00005 | THROTTLE PEDAL                    | 1   |
| 25-21 | BH00024 | THROTTLE SPRING                   | 1   |
| 25-22 | BH00007 | THROTTLE CABLE                    | 1   |
| 25-23 | BK00034 | ENGINE STOP SWITCH                | 1   |
| 25-24 | BT00047 | KEY SWITCH                        | 1   |

|       |         |                       |   |
|-------|---------|-----------------------|---|
| 25-25 | BH00023 | RUBBER COVER, KEY SET | 1 |
| 25-26 | BH00020 | BRAKE, PARKING, SA    | 1 |
| 25-27 | BH00022 | BOOT, PARK BRAKE      | 1 |
| 25-28 | BT00050 | EXTRA KEYS (2)        | 2 |

## 26. WARNING/GRAPHIC DECALS



| REF# | TPG#    | DESCRIPTION            | QTY |
|------|---------|------------------------|-----|
| 26-1 | SW30321 | LABEL, CAUTION         | 1   |
| 26-2 | SW30318 | LABEL, NO LONG HAIR    | 1   |
| 26-3 | SW30319 | LABEL, CHAIN GUARD     | 1   |
| 26-4 | SW30317 | LABEL, NO RIDING       | 1   |
| 26-5 | SW30320 | LABEL, SEAT BELT       | 1   |
| 26-6 | SW30316 | LABEL, WARNING         | 1   |
| 26-7 | BT00049 | LABEL, PARKING BRAKE   | 1   |
| 26-8 | BT00043 | LABEL, CROSSFIRE SET   | 1   |
| 26-9 | BT00045 | LABEL, CROSSFIRE FLOOR | 1   |

## 27. ELECTRICAL SCHEMATIC

