

零件目录

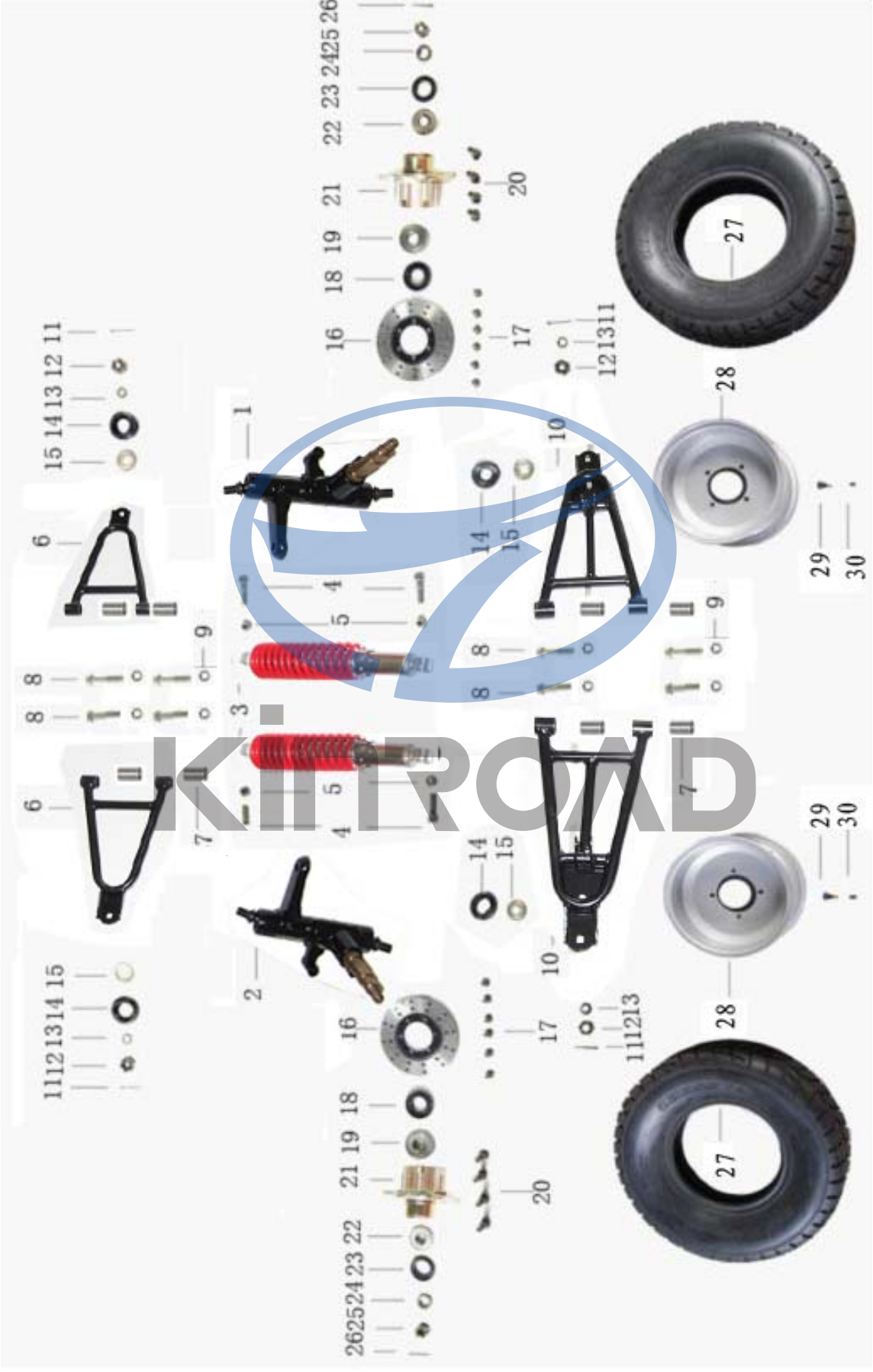
XT250GK-9 PGO款

PARTS CATALOGUE



Kinroad xintian Motorcycle Manufacture co., ltd

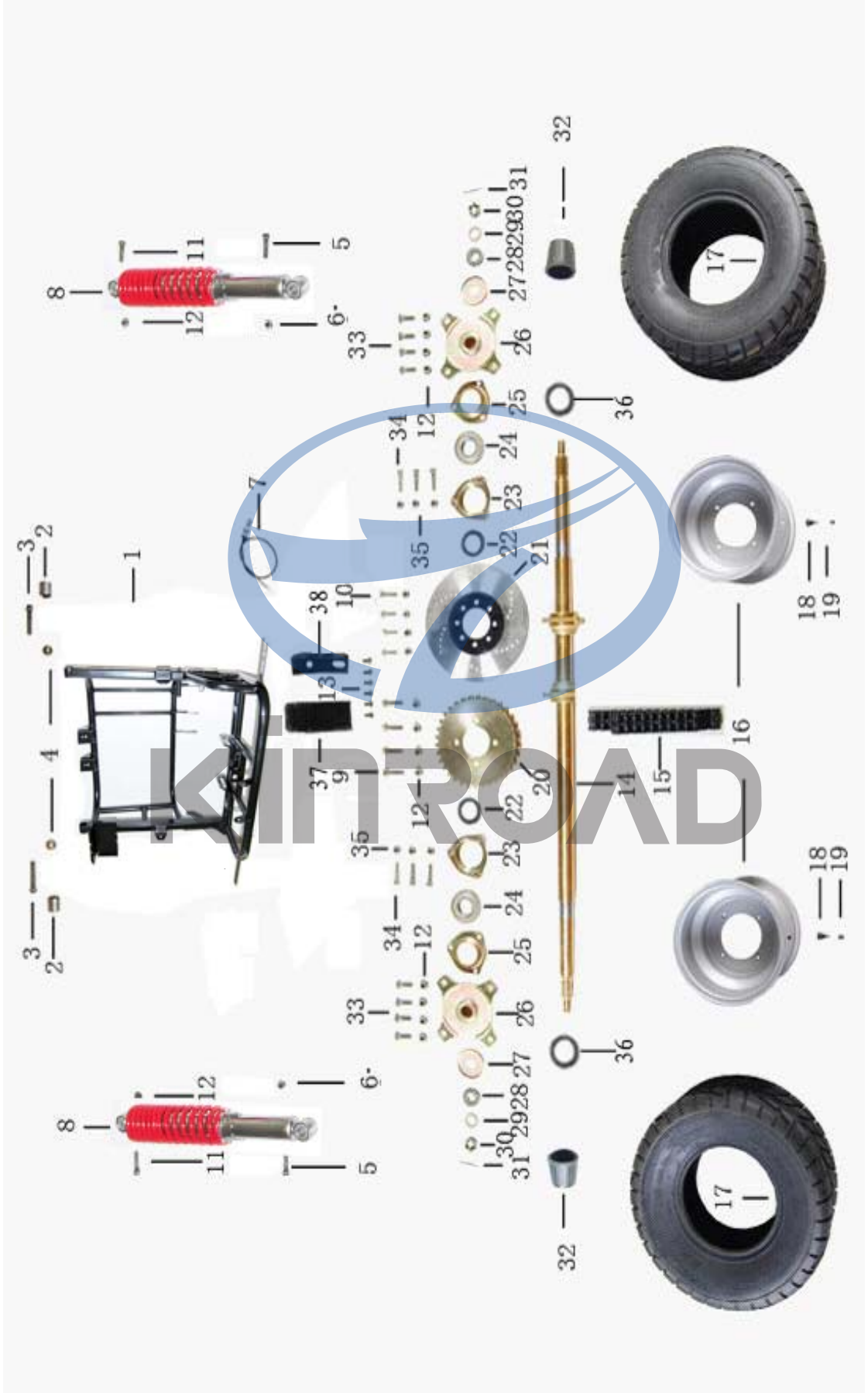
KINROAD



NO.	Part NO.	Description	Description in English	数量Qty	价格Price	备注Remark
1	KA00603001A	右支撑轴	KNUCKLE SUPPORT, RH	1		
2	KA00602001A	左支撑轴	KNUCKLE SUPPORT, LH	1		
3	KA00631001B	前减震器	ABSORBER ASSY. FR.	2		
4	GB5787-86	六角法兰螺栓 M10×40	BOLT FLANGE M10×40×1.25	4		
5	GB6187-86	六角法兰自锁螺母 M10	LOCK NUT FLANGE M10×1.25	4		
6	KA10117001A-1	上悬挂臂组件	SUSPENSION ARM COMP, UPPER	2		
7	KA101023000	摆臂衬套	BUSH, ARM ASSY., UPPER	8		
8	51191-BCA0-0000-0C	悬挂臂安装螺栓 M10×65	BOLT M10×65	8		
9	GB6187-86	六角法兰自锁螺母 M10	LOCK NUT FLANGE M10×1.25	8		
10	KA10118001A	下悬挂臂总成	SUSPENSION ARM COMP, LOWER	2		
11	GB/T91-86	开口销1.6×30	PIN 1.6×30	4		
12	GB6178-86	六角开槽螺母M12×1.25	NUT M12×1.25	4		
13	GB/T93-87	弹垫12	SPRING WASHER 12	4		
14	KA003340000	转向轴防尘罩	RUBBER DUST COVER	4		
15	KA001590030	隔环	SPACER, BALL HEAD	4		
16	KA105310100-2	刹车碟盘	DISC, FR. BRAKE	2		
17	GB5783-2000	六角头螺栓M6×12	BOLT M6×12	12		
18	KA005440000	油封 47×25-7	DUST SEAL 47×25-7	2		
19	KA005520000	轴承 6204	BEARING 6204	2		
20	44901-BCA0-0000-0C	辐板轮安装螺栓 M10	BOLT, TIRE M10	8		
21	KA005040030	前轮毂	HUB, FR. WHEEL	2		
22	96100-62030	轴承 6203	BEARING 6203	2		
23	91202-BCA0-0000	油封 42×27-7.3	DUST SEAL 42×27-7.3	2		
24	44301-BCA0-0000-0C	前轮衬套	SPACER, FR. HUB	2		
25	GB6178-86	六角开槽螺母M14×1.5	NUT M14×1.5	2		
26	GB/T91-86	开口销2.5×30	PIN 2.5×30	2		
27	KA205030000	真空胎21" ×7" -10"	TIRE, FR. 21" ×7" -10"	2		
28	KA005010000	前辐板轮	RIM, FR.	2		

29	KA005030100	气门嘴	INTAKE, TIRE	2		
30	KA005030200	气门嘴帽	CAP, TIRE INTAKE	2		



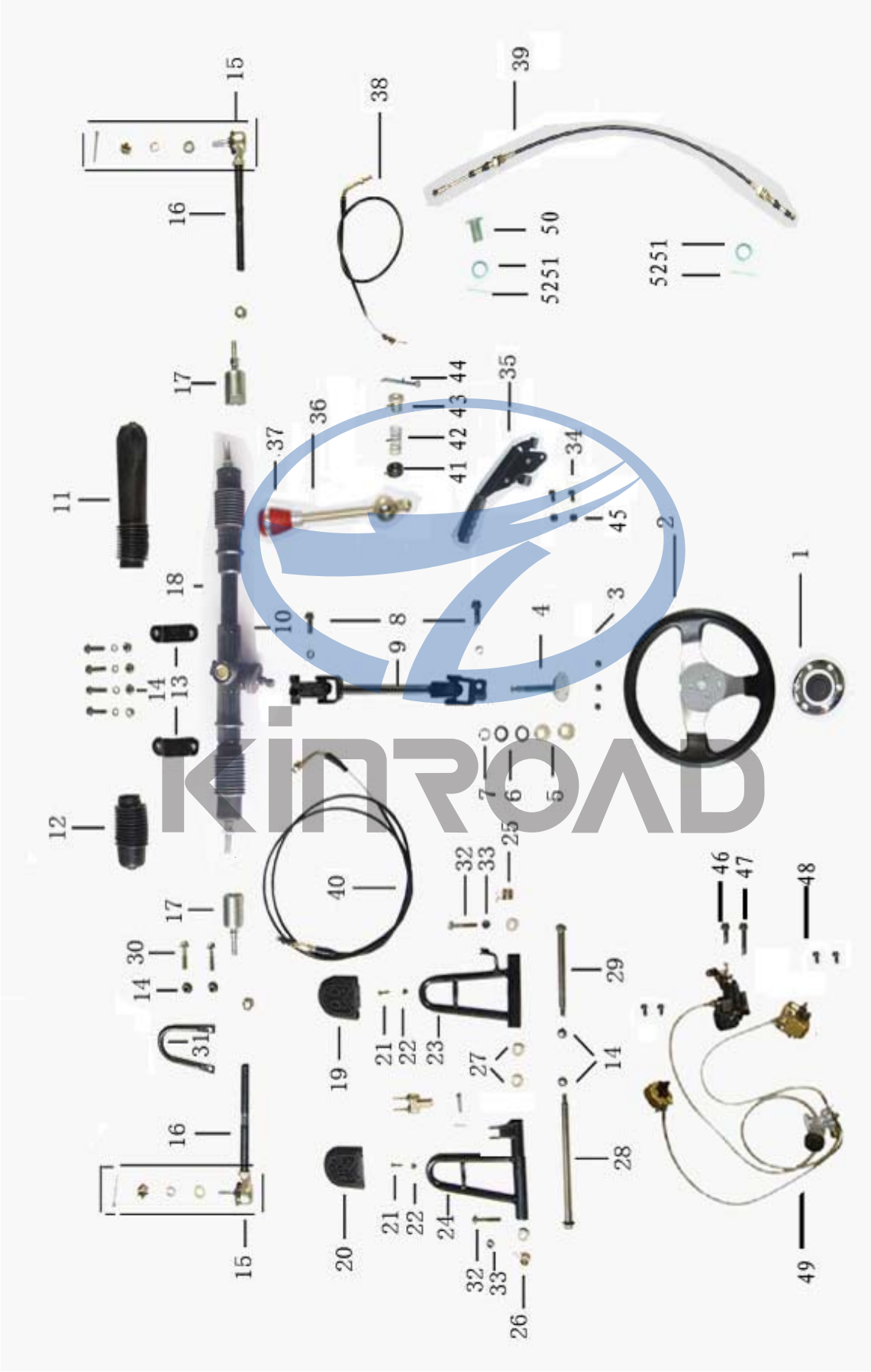


NO.	Part NO.	Description	Description in English	数量Qty	价格Price	备注Remark
1	KA00119001A	后摇架组件	REAR SWING ARM COMP.	1		
2	KA101010100	缓冲套	RUBBER BUSH, SWING ARM	2		
3	GB5787-86	六角法兰螺栓 M12×60	BOLT FLANGE M12×60×1.25	2		
4	GB6187-86	六角法兰自锁螺母 M12	LOCK NUT FLANGE M12 ×1.25	3		
5	GB5787-86	六角法兰螺栓 M12×50	BOLT FLANGE M12×50×1.25	2		
6	GB6187-86	六角法兰自锁螺母 M12	LOCK NUT FLANGE M12 ×1.25	2		
7	KM004150300	速度传感器	SPEED SENSOR	1		
8	KA00632001B	后减震器	ABSORBER ASSY. RR.	2		
9	GB5787-86	六角法兰螺栓M10×35	BOLT FLANGE M10×35	4		
10	GB5787-86	六角法兰螺栓M8×25	BOLT FLANGE M8×25	4		
11	GB5787-86	六角法兰螺栓 M10×40	BOLT FLANGE M10×40	4		
12	GB6187-86	六角法兰自锁螺母 M10	LOCK NUT FLANGE M10	12		
13	GB5787-86	六角法兰螺栓M8×16	BOLT FLANGE M8×16	6		
14	KA005060030	后轮轴	AXLE COMP., RR.	1		
15	KA005230000	链条10A	DRIVE CHAIN	2		
16	KA005020000	后辐板轮10-8	RIM, REAR	2		
17	KA205040000	真空胎 22×11-10	TIRE, RR. 22×11-10	2		
18	KA005030200	气门嘴帽	CAP, TIRE INTAKE	2		
19	KA005030100	气门嘴	INTAKE, TIRE	2		
20	KA005220030	后链轮	REAR SPROCKET	1		
21	KA105310200-2	后碟刹盘组件	DISC, RR. BRAKE	1		
22	KA005420000	油封34×50—7	DUST SEAL 34×50—7	2		
23	KA005070030	后轮轴承座	HOUSING COMP, RR. AXLE BRG	2		
24	KA005530000	轴承 6206 RZ	BEARING 6206 RZ	2		
25	KA001570030	后轮轴承座盖	BEARING BASE	2		
26	KA005050030	后轮毂	HUB, RR. AXLE	2		
27	KA001580030	后轮帽座	HOLDER, RR. WHEEL CAP	2		
28	94110-17B01-0C	平垫 (ø16)	FLAT WASHER(ø16.5)	2		

29	GB/T93-87	弹垫16	SPRING WASHER 16	2		
30	GB6178-86	六角开槽螺母M16×1.5	NUT M16×1.5	2		
31	GB/T91-86	开口销2.5×30	PIN 2.5×30	2		
32	KA003350000	后轮轴盖	CAP, FR. WHEEL	2		
33	GB5787-86	辐板轮安装螺栓 M10×40	BOLT, TIRE M10×40	8		
34	GB5787-86	六角法兰螺栓 M8×40	BOLT FLANGE M8×40	6		
35	GB6187-86	六角法兰自锁螺母 M8	LOCK NUT FLANGE M8	6		
36	KA005420000	油封28×42—7	DUST SEAL 28×42—7	2		
37	KA00163001A	后链轮罩	COVER REAR SPROCKET	1		
38	KA00164001A	碟刹盘罩	COVER DISC, RR. BRAKE	1		

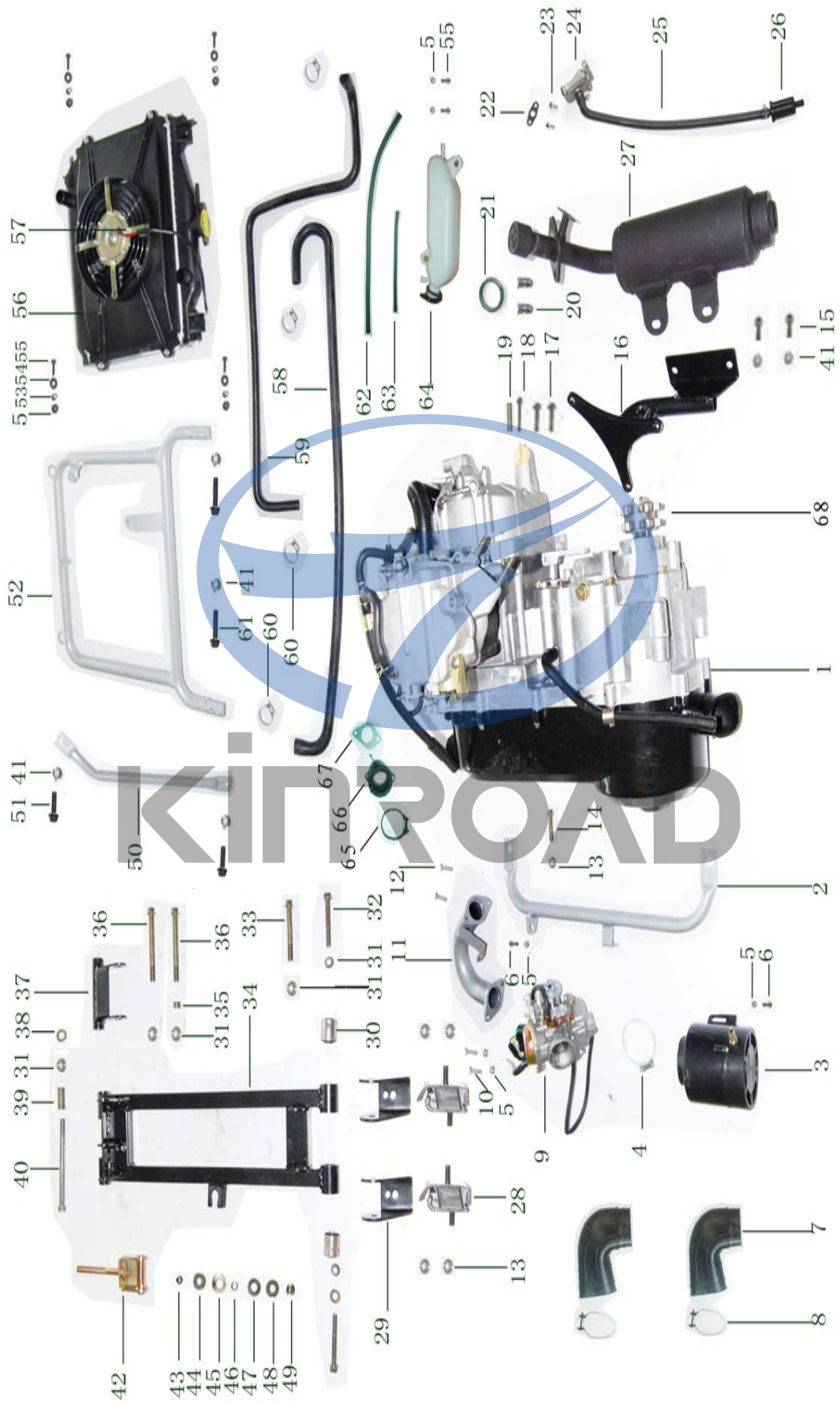


KINROAD



NO.	Part NO.	Description	Description in English	数量Qty	价格Price	备注Remark
1	KA003020000	变向器螺栓盖	COVER STEERING COMP.	1		
2	KA003310000	方向盘	STEERING COMP.	1		
3	GB5787-86	六角法兰螺栓M6×12	BOLT, FLANGE M6×12	3		
4	KA10171001A	变向轴法兰盘	STEERING SHAFT	1		
5	KA101021000	方向柱尼龙衬套	BUSH. STEERING SHAFT	2		
6	GB/T95-85	平垫Φ20	WASHER ø20	1		
7	GB/T894-86	轴用弹性挡圈	CIRCLIP ø20	1		
8	GB5787-86	六角法兰螺栓M8×25	BOLT, FLANGE M8×25	6		
9	KA006010400-1	转向关节轴	SEEERING KNUCKLE	1		
10	KA10601011A	变向箱	STEERING GEAR	1		
11	KA006010300	防尘盖	DUST COVER. R. BALL JOINT	1		
12	KA106010300	防尘盖I	DUST COVER. L BALL JOINT	1		
13	KA00153001A	变向器固定板	STEERING GEAR BRACKET	2		
14	GB6187-86	六角法兰自锁螺母M8	NUT FLANGE M8	8		
15	KA10601111A	连接杆球头	ROD END	2		
16	KA10601051A-1	左、右连接杆	TIE ROD	2		
17	KA006010240	万向节	STEERING BALL JOINT	2		
18	KA10601121A	限位套筒	SLEEVE	2		
19	KA003320000	油门脚踏橡胶套	PUSH ROD, MASTER	1		
20	KA003320000-1	刹车脚踏橡胶套	RUBBER, PAD	1		
21	GB5787-86	六角法兰螺栓M5×16	BOLT, FLANGE M5×16	4		
22	GB6187-86	六角法兰自锁螺母M5	NUT FLANGE M5	4		
23	KA00115001A	节气门踏板组件	PEDAL COMP., THROTTLE	1		
24	KA00116001A	刹车踏板组件	PEDAL COMP., BRAKE	1		
25	KA001820030	节气门踏杆扭簧	SPRING, THROTTLE PEDAL	1		
26	KA001810030	刹车踏杆扭簧	SPRING, BRAKE PEDAL	1		

27	KA101024000	踏板减震环	COLLAR, PEDAL	4		
28	53391-BCA0-0000-0C	刹车踏杆螺栓 M8×168	BOLT M8×168	1		
29	53393-BCA0-0000-0C	节气门螺栓 M8×145	BOLT M8×145	1		
30	GB5787-86	六角法兰螺栓 M8×35	BOLT, FLANGE M8×35	2		
31	KA101350000	刹车泵保护支架	BRACKET, CYLINDER ASSY,	1		
32	GB5787-86	六角法兰螺栓 M8×40	BOLT, FLANGE M8×40	2		
33	GB6170-86	六角螺母M8	NUTM8	2		
34	GB5787-86	六角法兰螺栓 M8×16	BOLT, FLANGE M8×16	2		
35	KB2S1170000	手刹制动柄	HANDLE BAR, BRAKE	1		
36	KF7S1080000	倒档器手柄	HANDLE BAR, REVERSE	1		
37	KF7S6050000	换挡手柄套	cap for handle bar	1		
38	KB106210000-1	手刹线	CABLE COMP. PARKING BRAKE	1		
39	KA106230000-1	倒档线	CABLE COMP. REMERSE	1		
40	KA106220000-1	油门线	CABLE COMP. THROTTLE	1		
41	KF7S5140000	换挡手柄关节轴承	bearing for handle bar	1		
42	KF7S1810020	换挡手柄压簧	spring for handle bar	1		
43	KF7S1810010	衬套	bush for handle bar	1		
44	GB/T 91-2000	开口销2.5×25	COTTERPIIN 2.5×25	1		
45	GB6187-86	六角法兰自锁螺母M8	NUT FLANGE M8	4		
46	GB5787-86	六角法兰螺栓 M8×12	BOLT FLANGE M8×12	1		
47	GB5787-86	六角法兰螺栓 M8×96	BOLT FLANGE M8×96	1		
48	GB5787-86	六角法兰螺栓 M8×25	BOLT FLANGE M8×25	2		
49	KA105310000-2	制动泵总成	FOUR-CALIPER BRAKE ASSY	1		
50	GB/T882-86	B型销轴（带孔Φ4）8×35、军绿	PIN 8×35	1		
51	GB/T96-87	平垫8	FLAT WASHER ø8	2		
52	GB/T91-86	开口销2.5×25	PIN 2.5×25	2		



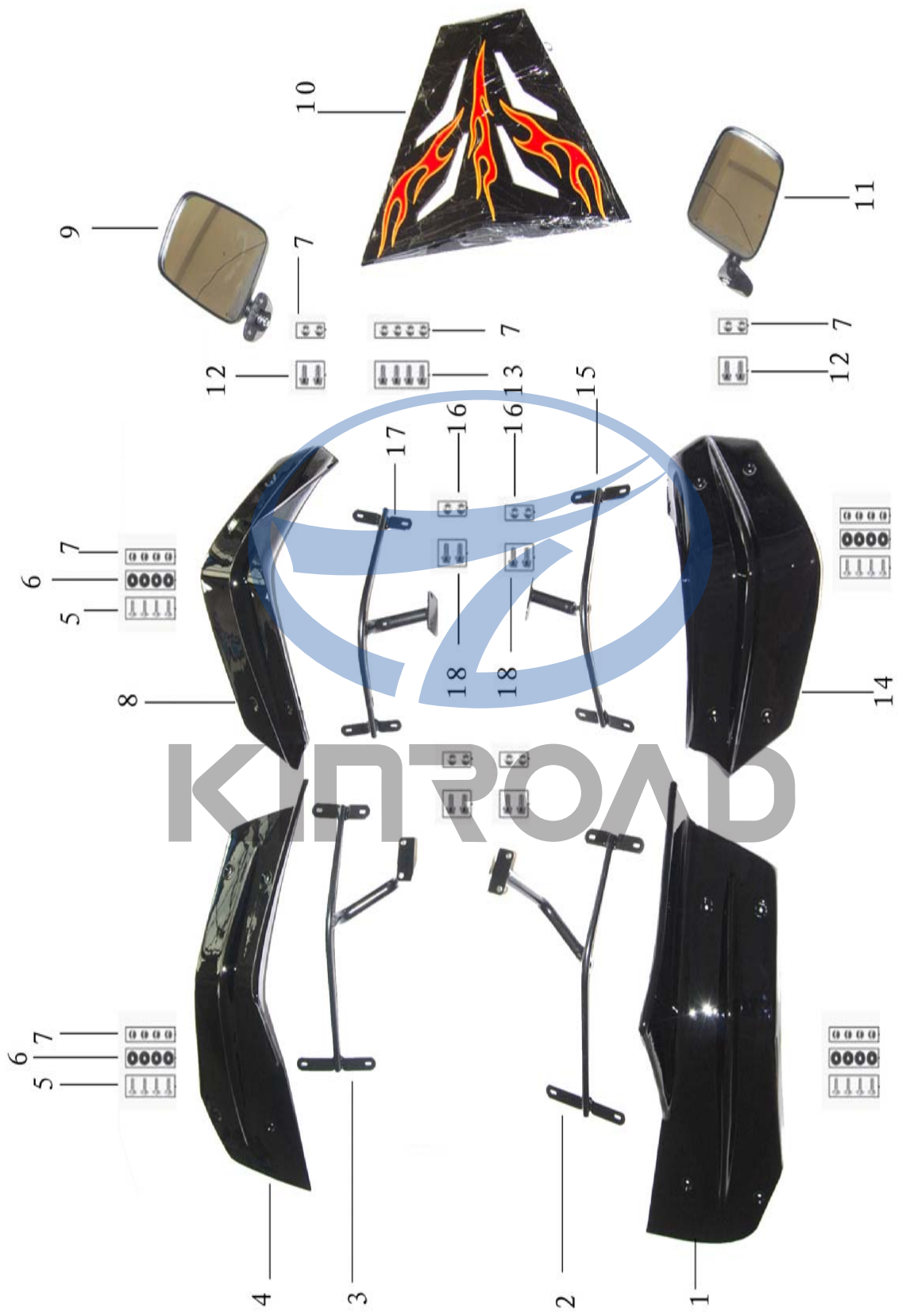
NO.	Part NO.	Description	Description in English	数量Qty	价格Price	备注Remark
1	KA002010000	发动机	ENGINE ASSY	1		
2	KF7S1091000	化油器支架	BRACKET OF CARBURETOR ASSY	1		
3	KA202030000	空滤器	AIR CLEANR ASSY.	1		
4	KB004031000	空滤器卡箍	CIRCLIP	1		
5	GB6187-86	六角法兰螺母 M6	LOCK NUT FLANGE M6	8		
6	GB5787-86	六角法兰螺栓 M6×16	BOLT FLANGE M6X16	6		
7	KA002050000	吸风管	BOOT, SIDE CASE	2		
8	KA002050100	吸风管卡箍	CLAMP	2		
9	KA002020000	化油器	CARBURETOR ASSY	1		
10	GB5783-86	六角螺栓 M6×25	BOLT FLANGE M6×25	2		
11	KA002021000	化油器进气管 II	Pipe Comp In, CARBURETOR	1		
12	GB5783-86	六角螺栓 M6×16	BOLT FLANGE M6×16	2		
13	GB6187-86	六角法兰自锁螺母 M10	LOCK NUT FLANGE M10 ×1.25	3		
14	GB5787-86	六角法兰螺栓 M10×60	BOLT FLANGE M10×60	1		
15	GB5787-86	六角法兰面螺栓M8×30	BOLT FLANGE M8×30	2		
16	KF7S1090000	排气管安装支架	MUFFER BRACKET	1		
17	GB5787-86	六角法兰面螺栓M8×30	BOLT FLANGE M8×30	2		
18	GB5787-86	六角法兰面螺栓M6×50	BOLT FLANGE M6×50	2		
19	KA001710030	排气管连接衬套	RACK SUPPORT, MUFFLER	1		
20	90301-TCB0-0000-0C	消声器长螺母 M6×35	NUT, MUFFLER JOINT, M6×35	2		
21	KA002040100	排气管密封垫	GASKET, EX. PIPE	1		
22	KA202060100	二次进气控制阀垫	GASKET,AIR FEED CONTROC VAL	1		
23	GB5783-86	六角螺栓 M6×12	BOLT FLANGE M6×12	2		
24	KA202060000	二次进气控制阀	AIR FEED CONTROC VALVE	1		
25	KA202080000	二次进气气管 I	VENTILATE CANNULATION I	1		

26	KA202070000	二次进气空气阀	AIR FEED CONTROC VALVE	1		
27	KA202040000	排气消声器总成)	MUFFLER COMP., EX	1		
28	KF7S3020000	发动机缓冲块	ENGINE RUBBER BUMPER	2		
29	KG9S1050000	发动机连接前安装支架	ENGINE MOUNT, FRONT	2		
30	17519-BCA0-0000-0C	安装衬套	COLLAR, INNER	2		
31	GB6187-86	六角法兰自锁螺母 M12	LOCK NUT FLANGE M12 ×1.25	5		
32	GB5787-86	六角法兰螺栓 M12×75	BOLT FLANGE M12×75	2		
33	GB5787-86	六角法兰螺栓 M12×105	BOLT FLANGE M12×105	1		
34	KG9S1040000	发动机安装架	ENGINE MOUNT, PEDESTAL	1		
35	GB5787-86	六角法兰螺栓 M12×145	BOLT FLANGE M12×145	1		
36	52121-BCA0-0000-0C	发动机衬套 I	SPACER, ENGINE MOUNT	1		
37	GB6187-86	六角法兰自锁螺母 (M8×1.	LOCK NUT FLANGE M8×1.25	16		
38	GB/T95-85	平垫 Φ12	WASHER ø12	2		
39	52121-BCA0-0000-0C	发动机衬套 II	SPACER, ENGINE MOUNT	1		
40	52129-BCA0-0000-0C	吊架轴 M12×180	BOLT M12×180	1		
41	GB6187-86	六角法兰自锁螺母 M8	LOCK NUT FLANGE M8	1		
42	KA001320030	调链器吊杆	LINK COMP, ENGINE MOUNT	1		
43	90293-BCA0-0000-0C	调整螺母 M12×1.25	NUT, ENGINE MOUNT LINK M12×1.	1		
44	52155-BCA0-0000	缓冲器垫圈	WASHER, BUFFER PAD	1		
45	KA001550030	缓冲器座	SPACER, ENGINE MOUNT LINK	1		
46	52152-BCA0-0000-0C	隔震环	COLLAR, ENGINE MOUNT LINK	1		
47	KA003390000	吊架缓冲橡胶圈	BUFFER PAD, ENGINE MOUNT LINK	1		
48	52155-BCA0-0000	缓冲器垫圈	WASHER, BUFFER PAD	1		
49	GB6187-86	六角法兰自锁螺母 (M12×1	LOCK NUT FLANGE M12 ×1.25	1		
50	KF9S1070000	散热器固定座支撑杆	FIXED LINK, RADITOR	1		
51	GB5787-86	六角法兰螺栓 M8×25	BOLT FLANGE M8×25	2		
52	KB001810030	散热器固定座	BUMPER	1		
53	17519-BCA0-0000-0C	安装衬套	COLLAR, INNER	4		
54	KA003370000	油箱橡胶圈	RUBBER RING	4		
55	GB5787-86	六角法兰螺栓 M6×30	BOLT FLANGE M6×30	4		

56	KB004200000	散热器(水箱)	RADIATOR	1		
57	19030-SDA0-0000	风扇电机	FAN	1		
58	KF7S2030000	出水胶管	RUBBER TUBE, WATER OUT	2		
59	KF7S2040000	进水胶管	RUBBER TUBE, WATER IN	2		
60	KB004240000	水管夹(卡箍25)	CLIP, WATER PIPE	4		
61	GB5787-86	六角法兰螺栓 M8×50	BOLT FLANGE M8×50	2		
62	KB004460000	副水箱通水管	WATER TUBE OF WATER TANK, SUB	1		
63	KF7S2040100	气管	AIE PIPE	1		
64	KB004210000	副水箱	WATER TANK, SUBSIDIARY	1		
65	KB004220000	卡箍	CIRCLIP	1		
66	KA002020000	化油器进气管	Pipe Comp In, CARBURETOR	1		
67	KA002020001	密封垫片	WASHER, Bakelite pad	1		
68	KA005210030	驱动链轮	DRIVE SPROCKET	1		

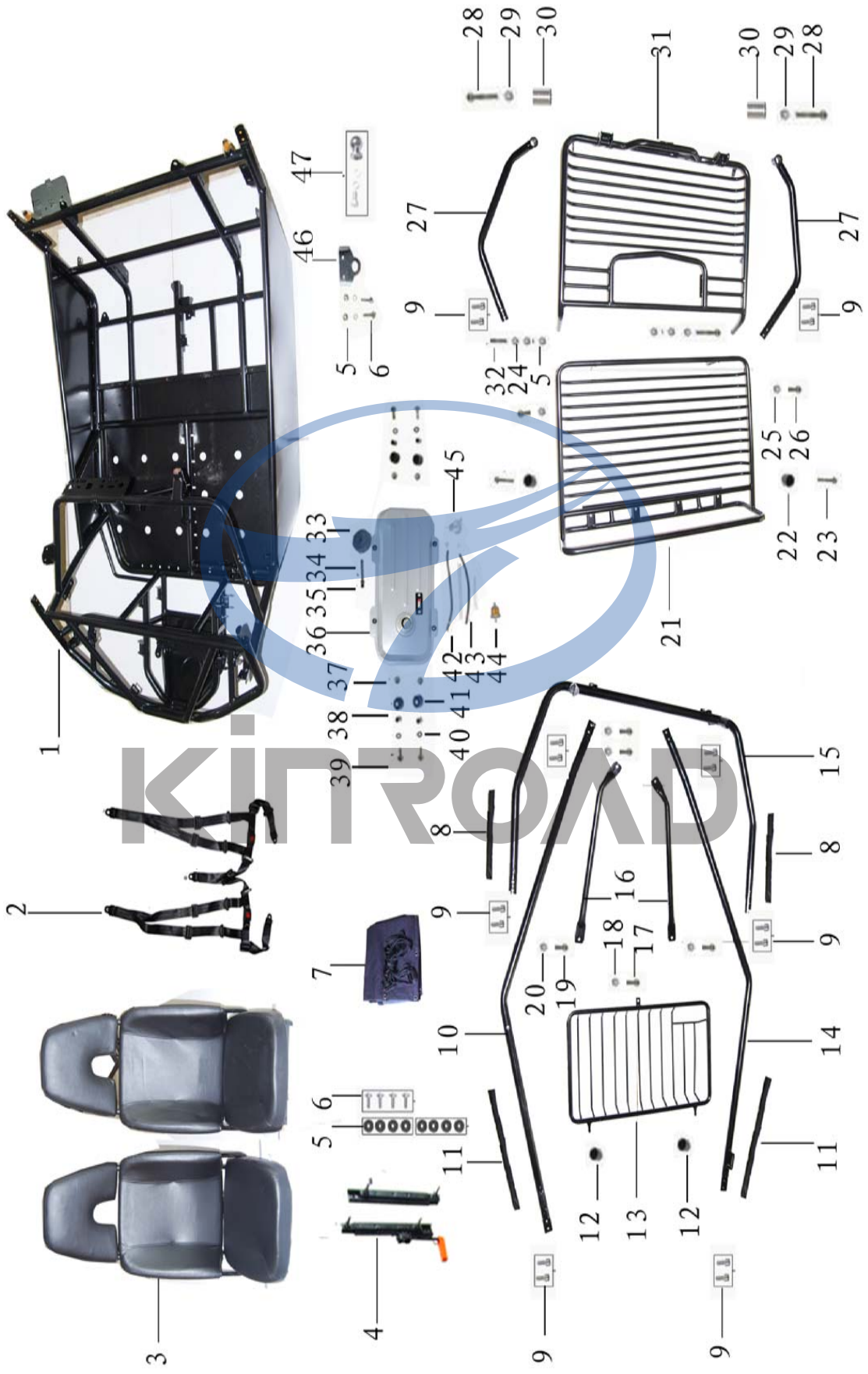


KINROAD



NO.	Part NO.	Description	Description in English	数量Qty	价格Price	备注Remark
1	KA003180200	右后挡泥板	REAR FENDER, R	1		
2	KH001170001	后右挡泥板支架	BRACKET, FRONT FENDER, R	1		
3	KH001170002	后左挡泥板支架	BRACKET, FRONT FENDER, L	1		
4	KA003180100	左后挡泥板	REAR FENDER, L	1		
5	GB/T818-86	十字大盘头螺钉M6×16	BOLT M6×16	16		
6	KM003440000	Φ6橡胶垫	RUBBER WASHER (ø6)	16		
7	GB6187-86	六角法兰自锁螺母M6	NUT FLANGE M6	20		
8	KA003170100	左前挡泥板	FRONT FENDER, L	1		
9	KA204250100	左后视镜	LEFT REARVIEW MIRROR	1		
10	KA003160000	前面罩	COVER ,FRONT	1		
11	KA204250200	右后视镜	RIGHT REARVIEW MIRROR	1		
12	GB/T70-86	内六角螺栓M6×16, 镀铬	BOLT, HEX IN M6×16	4		
13	GB5787-86	六角法兰螺栓M6×16	BOLT FLANGE M6×16	4		
14	KA003170200	右前挡泥板	FRONT FENDER, R	1		
15	KH001160002	前左挡泥板支架	BRACKET, FRONT FENDER, L	1		
16	GB6187-86	六角法兰自锁螺母M10	NUT FLANGE M10	8		
17	KH001160001	前右挡泥板支架	BRACKET, FRONT FENDER, R	1		
18	GB5787-86	六角法兰螺栓M10×20	BOLT FLANGE M10×20	8		

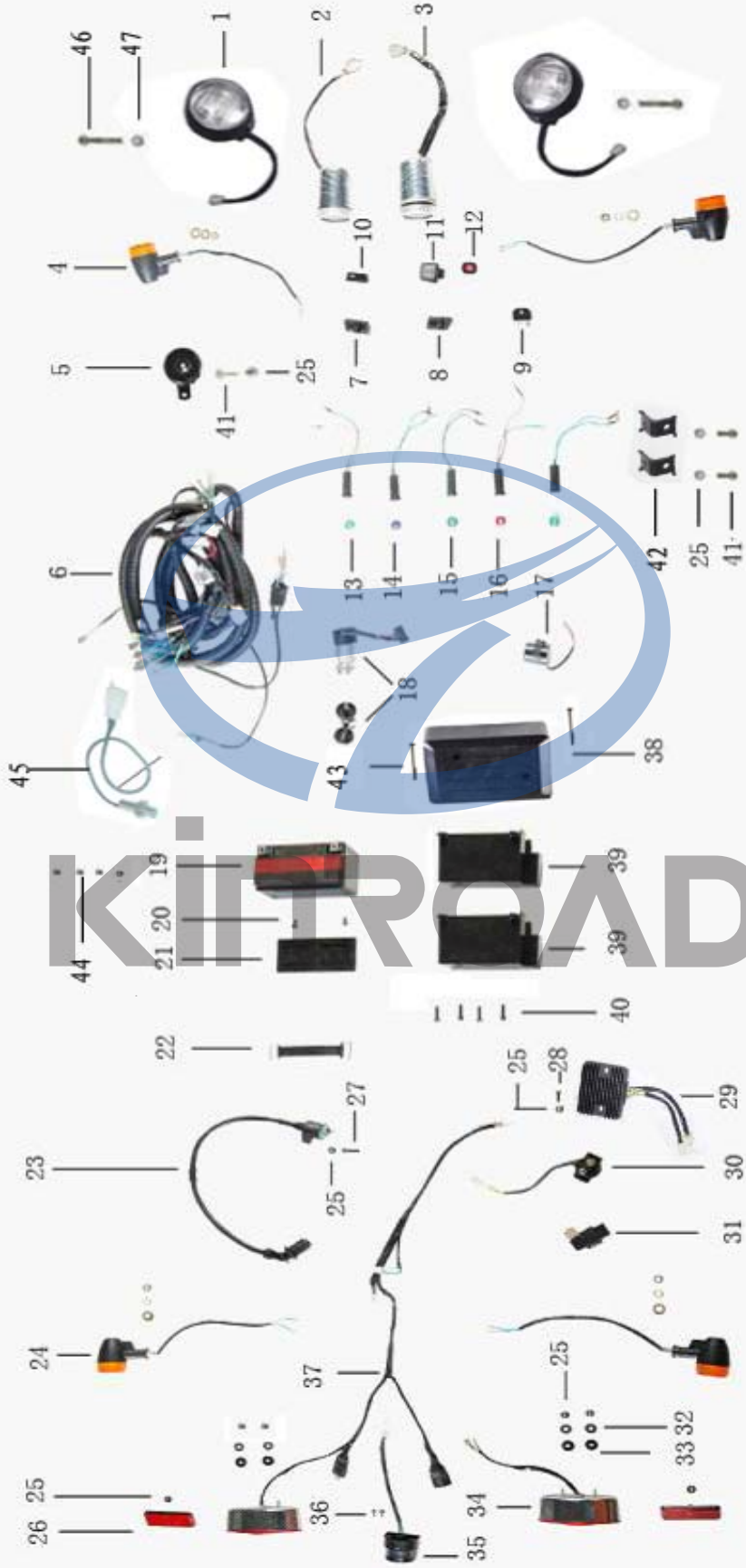
KINROAD



NO.	Part NO.	Description	Description in English	数量Qty	价格Price	备注Remark
1	KB201010000-2G	车架组件	FRAME COMP.	1		
2	KA107080000-1	五点式保险带	BELT. SAFETY	1		
3	KA107010100-1	右座垫	RIGHT SEAT ASSY	1		
	KA107010200-1	左座垫	LEFT SEAT ASSY	1		
4	KA20705001A	滑轨	RAIL SET. SEAT	2		
5	GB6187-86	六角法兰自锁螺母 M8	LOCK NUT FLANGE M8	12		
6	GB5787-86	六角法兰螺栓 M8×25	BOLT FLANGE M8×25	6		
7	KH202090000	顶棚、护套	TOP AND GUARD BAR FABRIC	1		
8	KC001150013	保险杆保护套	FOAM COVER 1	4		
9	GB/T70-86	内六角螺栓M8×20	BOLT, HEX IN M8×20	16		
10	KA201020000-1	右保险杠架	RIGHT BRUSH GUARD BAR ,MAIN	1		
11	KC001150014	保险杠后保护套	FOAM COVER 2	4		
12	KA201140001	橡胶缓冲圈	RUBBER RING	2		
13	KA201140000	前储物架组件	CARRIER COMP. , FRONT	1		
14	KA201020100-2	左保险杠架	LEFT BRUSH GUARD BAR ,MAIN	1		
15	KH001050000	保险杠连接架	BRUSH GUARD BAR, CENTER	1		
16	KA101140000	后储物架支架	SUPPORTER, CARRIER	2		
17	GB5787-86	六角法兰螺栓 M6×25	BOLT FLANGE M6×25	1		
18	GB6187-86	六角法兰自锁螺母 M6	LOCK NUT FLANGE M6	1		
19	GB5787-86	六角法兰螺栓 M10×25	BOLT FLANGE M10×25	4		
20	GB6187-86	六角法兰自锁螺母 M10	LOCK NUT FLANGE M10	4		
21	KH001290000-1	大货架	CARRIER COMP.	1		
22	KA003070000	防护杆衬套(ø 25)	BUSH, BRUSH GUARD BAR (ø25)	6		
23	GB5787-86	六角法兰螺栓 M8×50	BOLT FLANGE M8×50	2		
24	50199-BCA0-0000-0C	R-垫	R-WASHER	4		
25	GB6187-86	六角法兰自锁螺母 M8	LOCK NUT FLANGE M8	2		
26	GB5787-86	六角法兰螺栓 M8×25	BOLT FLANGE M8×25	2		
27	KH001060000	后保险杠连接杆	REAR BRUSH GUARD BAR ,	1		

28	GB5787-86	六角法兰螺栓M10×65	BOLT FLANGE M10×65	2		
29	GB6187-86	六角法兰自锁螺母M10	NUT FLANGE M10	2		
30	KM003390000	悬挂臂缓冲套	SHEET BUSH, SWING ARM	2		
31	KA201130000	后储物架组件	CARRIER COMP., REAR	1		
32	GB5787-86	六角法兰螺栓 M8×45	BOLT FLANGE M8×45	2		
33	KA002060100	油箱盖	CAP, COMP. FUEL TANK	1		
34	KA003220000	导流管	TUBE COMP. VACUUM	1		
35	KA002070000	止回阀	CHECK VALVE	1		
36	KA202060000	油箱	TANK, COMP. FUEL	1		
37	GB6187-86	六角法兰自锁螺母 M6	LOCK NUT FLANGE M6	4		
38	17519-BCA0-0000-0C	安装衬套	COLLAR, INNER	4		
39	GB5787-86	六角法兰螺栓 M6×30	BOLT FLANGE M6×30	4		
40	GB/T95-87	平垫 φ6	FLAT WASHER φ6	4		
41	KA003370000	油箱橡胶圈	RUBBER RING	4		
42	KA001850050	保护网I	TUBE SPRING I	2		
43	KA003210100	油管I	TUBE COMP. FUEL. I	2		
44	KA002090000	过滤器	FILTER	1		
45	KA002080000	油箱开关	COCK, FUEL ASSY.	1		
46	KM001720000	拖车挂钩	BRACKET OF TOW BALL	1		
47	KA00119011A-1	拖车挂钩I	TOW BALL	1		

KITROAD



KITROAD

NO.	Part NO.	Description	Description in English	数量Qty	价格Price	备注Remark
1	KA204100000-2	大灯组件	HEAD LAMP ASSY.	2		
2	KA204260000	油量表	FUEL METER	1		
3	KA004150000	速度表	SPEEDOMETER	1		
4	KA204170100	左右前转向灯	FORWARD LEFT RIGHT TURNING L	2		
5	KA204180000	喇叭	HORN	1		
6	KA204120000-2A	主电缆	MAIN WIRE HARNESS	1		
7	KA204170600	转向灯开关	SWITCH OF TURNING LIGHT	1		
8	KA203080200-2	大灯开关	SWITCH COMP., H/L LIGHT	1		
9	KA204290000	二极管	DIODE	1		
10	KA203080300-2	喇叭开关	HORN BUTTON	1		
11	KA203080400-2	照明开关	SWITCH COMP., HEAD LIGHT	1		
12	KA203080100-2	双跳开关	INSTANCY BUTTON	1		
13	KA204230000	远光指示灯	MAIN BEAM	1		
14	KA204240000	位置指示灯	LIGHTING INDICATORS	1		
15	KA204220000	急停指示灯	INSTANCY WARNING DEVICES	1		
16	KA204210000	转向指示灯	DIRECTION INDICATORS	2		
17	KA204280000	闪光器	FLASH INSTRUMENT	1		
18	KA004010000	点火锁	KEY SET-IGNITION SWITCH COMP.	1		
19	KA004070000	蓄电池	BATTERY	1		
20	GB845-85	自攻螺钉ST3.8×12	BOLT ST3.8×12	2		
21	KA003360000	蓄电池垫	CUSHION, BATTERY	1		
22	KA001600030	蓄电池绑带	PRESSURE PLATE, BATTERY	1		
23	KA004090000	高压包	COIL COMP. IGNITION	1		
24	KA204170200	后左右转向灯	BEHIND LEFT RIGHT TURNING LIGHT	2		
25	GB6187-86	六角法兰自锁螺母 M6	LOCK NUT FLANGE M6	11		
26	KA204190000	后反射器	REAR REFLECTOR	2		
27	GB5787-86	六角法兰螺栓 M6×20	BOLT FLANGE M6×20	1		
28	GB5787-86	六角法兰螺栓 M6×16	BOLT FLANGE M6×16	2		

29	KA004040000	调压整流器	RECTIFIER COMP, REGULATE	1		
30	KA004050000	起动继电器	STARTING RELAY	1		
31	KA004080000	C. D. I. 点火器	C. D. I. UNIT	1		
32	GB/T95-87	平垫 $\phi 6$	FLAT WASHER $\phi 6$	4		
33	KA001600090	橡胶圈	RUBBER RING	4		
34	KA204110000	后尾灯	TAIL LAMP ASSY.	2		
35	KA204200000	后牌照灯	REAR REGISTRATION PLATE LAMP	1		
36	GB845-85	自攻螺钉ST3.8 \times 12	BOLT ST3.8 \times 12	2		
37	KA204130000-2	副电缆 II	SUB-WIRING HARNESS II	1		
38	KA003030000	蓄电池盖	COVER, BATTERY	1		
39	KA003010000	电器盒	COVER, ELECTRIC BOX	1		
40	GB845-85	自攻螺钉ST3.8 \times 16	BOLT ST3.8 \times 16	4		
41	GB5787-86	六角法兰螺栓 M6 \times 16	BOLT FLANGE M6 \times 16	3		
42	KA004160000	仪表支架	BRACKET OF METER	2		
43	GB/T818-85	十字盘头螺钉M6 \times 75	BOLT M6 \times 75	2		
44	KM004150301	速度传感器磁铁	MAGNET, SPEED SENSOR	4		
45	KM004150300	速度传感器	SPEED SENSOR	1		
46	GB5787-86	六角法兰螺栓 M8 \times 45	BOLT FLANGE M8 \times 45	4		
47	GB6187-86	六角法兰自锁螺母 M8	LOCK NUT FLANGE M8	4		

KINROAD