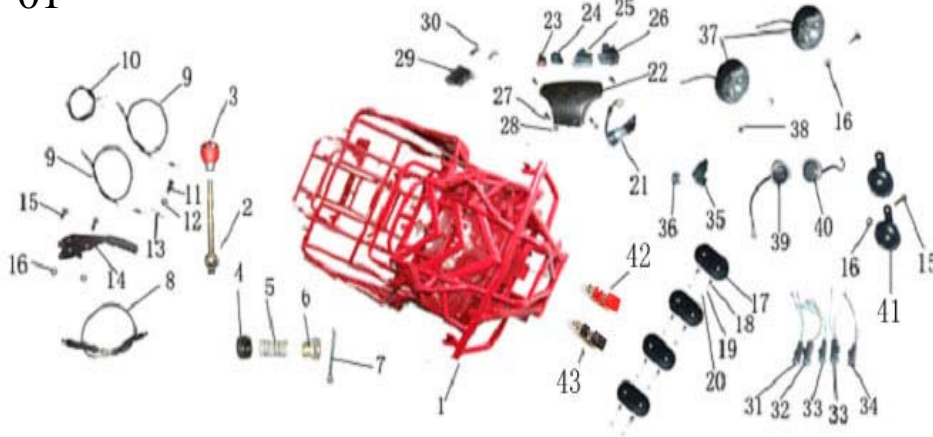


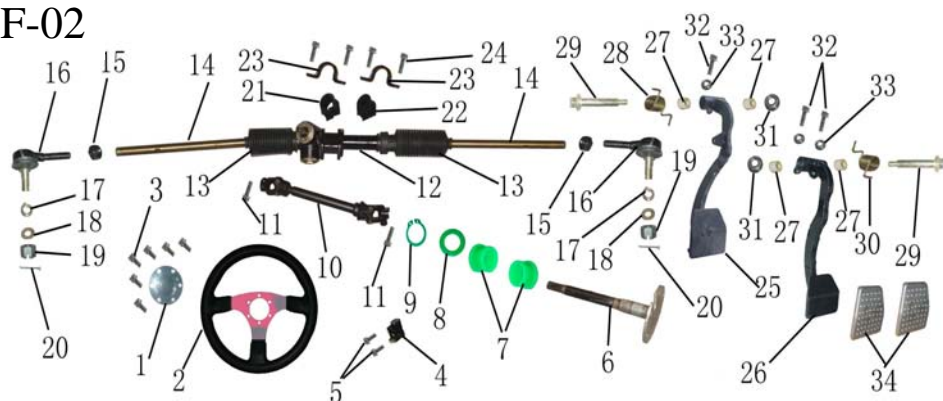
XT300GK 图解目录

F-01



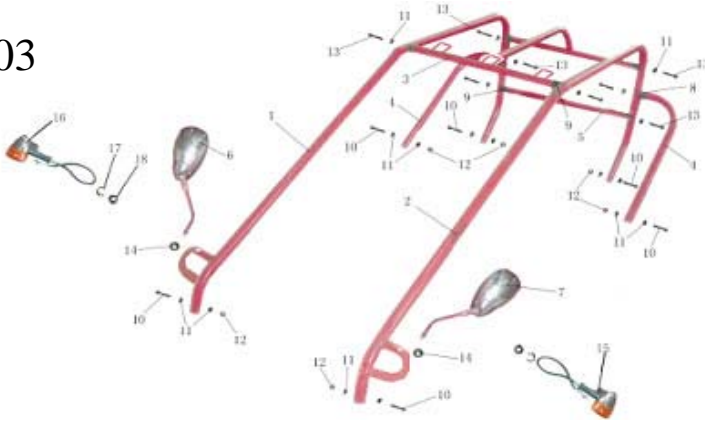
序号 Ref. No	功能码 Function Code	中文名称 Chinese Description	英文名称 Part Name	数量 Reqd. No.	备注 Remark
1	KF7S1010000	主车架	FRAME COMP.	1	
2	KF7S1080000	倒档器手柄	HANDLE BAR, REVERSE	1	
3	KF7S6050000	换挡手柄套	COVER REVERSE LEVER	1	
4	KF7S5140000	换挡手柄关节轴承	Joint bear ,REVERSE LEVER	1	
5	KF7S1810020	换挡手柄压簧	RECOVERING SPRING, REVERSE LEVER	1	
6	KF7S1810030	衬套	BUSH, REVERSE LEVER	1	
7	GB/T 91-2000	开口销2.5×25	COTTERPIN 2.5×25	1	
8	KF7S6040000	倒档线	CABLE COMP.REVERSE	1	
9	KF7S6020000	手刹线	CABLE COMP. PARKING BRAKE	2	
10	KF7S6030000	油门线	CABLE COMP. THROTTLE	1	
11	GB/T882-86	B型销轴 (带孔Φ4) 8×35、军绿	PIN 8×35	1	
12	GB/T96-87	平垫8	FLAT WASHER ø8	1	
13	GB/T91-86	开口销2.5×25	PIN 2.5×25	1	
14	KB2S1170000	手刹制动柄	HANDLE BAR, BRAKE	1	
15	GB5787-86	六角法兰螺栓 M8×20	BOLT, FLANGE M6×16	4	
16	GB6187-86	六角法兰自锁螺母 (M8×1.25)	LOCK NUT FLANGE (M8×1.25)	6	
17	KA003330000	脚踏橡胶板	FOOT PLATE.RUBBER	4	
18	KA003330100	脚踏橡胶板螺钉	BOLT, FOOT PLATE.RUBBER	8	
19	KA003330200	脚踏橡胶板垫片	WASHER, FOOT PLATE.RUBBER	8	
20	KA003330300	脚踏橡胶板螺母	NUT, FOOT PLATE.RUBBER	8	
21	KA0A4010000	点火锁	KEY SET-IGNITION SWITCH COMP.	1	
22	KA0A3020000	电器面板	ELECTRICAL EQUIPMENT STATOR	1	
23	KA203080100-2	紧急停车开关	ENGINE STOP BUTTON	1	
24	KA203080200-2	大灯开关	SWITCH COMP., H/L LIGHT	1	
25	KA203080300-2	喇叭开关	HORN BUTTON	1	
26	KA203080400-2	照明开关	SWITCH COMP., HEAD LIGHT	1	
27	GB5787-86	六角法兰螺栓 M6×16	BOLT, FLANGE M6×16	4	
28	GB6187-86	六角法兰自锁螺母 (M6×1.25)	LOCK NUT FLANGE (M6×1.25)	2	
29	KA004010100	防盗锁	GUARD AGAINST THEFT LOCK	1	
30	GB5787-86	十字平头螺栓M5×16	BOLT, FLANGE M5×16	2	
31	KA204230000	远光指示灯	MAIN BEAM	1	
32	KA204240000	位置指示灯	LIGHTING SWITCH	1	
33	KA204210000	转向指示灯	DIRECTION INDICATORS	2	
34	KA204220000	急停指示灯	HAZZARD WARNING DEVICES	1	
35	KA204280000	闪光灯	FLASH INSTRUMENT	1	
36	KA204290000	二极管	DIODE	1	
37	KA004100000-1	大灯组件	HEAD LAMP ASSY.	2	
38	GB5787-86	六角法兰螺栓 M8×40	BOLT, FLANGE M8×40	2	
39	KF7S4040000	速度表	SPEEDOMETER	1	
40	KB004180000	水温表	WATER TEMPERATURE METER	1	
41	KA204180000	喇叭	HORN	2	
42	KT7S4000001	接线柱正极	EXPRESS CONNECTION-PEG "+"	1	
43	KT7S4000001	接线柱负极	EXPRESS CONNECTION-PEG "-"	1	

F-02



序号 Ref. No	功能码 Function Code	中文名称 Chinese Description	英文名称 Part Name	数量 Reqd. No.	备注 Remark
1	KB003020000	边向器螺栓盖	STEERING COVER	1	
2	KB003310000	方向盘	STEERING COMP.	1	
3	GB/T70-86	内六角螺钉M6×16	BOLT, HEX IN M6×16	6	
4	KA004010100	防盗锁	GUARD AGAINST THEFT LOCK	1	
5	GB/T70-86	内五角螺栓M5×16	BOLT M5×16	2	
6	KF7S6010000	边向轴	STEERING SHAFT	1	
7	KA101021000	方向柱尼龙衬套	BUSH. STEERING SHAFT	2	
8	GB/T95-85	平垫Φ20	WASHER ø20	2	
9	GB/T894-86	轴用弹性挡圈	CIRCLIP ø20	1	
10	KM00601061A	转向关节轴	SEEERING KNUCKLE	1	
11	GB5787-86	六角法兰螺栓M8×25	BOLT FLANGE M8×25	2	
12	KM00601031A	变向箱	STEERING GEAR	1	
13	KM006010400	防尘盖	DUST COVER. L. BALL JOINT	2	
14	KM006010730	左、右连接杆	TIE ROD	2	
15	GB6170-86	六角螺母M10×1.25	NUT (M10×1.25)	2	
16	KM006010830	连接杆球头	ROD END	2	
17	GB95-85	弹垫18	FLAT WASHER 18	2	
18	GB/T93-87	平垫18	WASHER ,SPRING ø18	2	
19	GB/T9457-1988	六角开槽螺母M10×1.5	NUT-CASTLE M10×1.5, FRONT AXLE	2	
20	GB/T 91-2000	开口销1.6×40	COTTERPIIN 1.6×40	2	
21	KM003400000	方向器橡胶块1	RUBBER, STEERING GEAR1	1	
22	KM003410000	方向器橡胶块2	RUBBER, STEERING GEAR2	1	
23	KM00153001A	变向器固定板	STEERING GEAR BRACKET	2	
24	GB5787-86	六角法兰螺栓M10×30	BOLT FLANGE M10×30	4	
25	KF7S1020000	刹车踏板组件	PEDAL COMP., BRAKE	1	
26	KM001330030	节气门踏板组件	PEDAL COMP., THROTTLE	1	
27	KA101024000	踏板尼龙衬套	COLLAR, PEDAL	4	
28	KA001810030	刹车踏板扭簧	SPRING, THROTTLE PEDAL	1	
29	KF7S6010100	踏板螺栓M8×73	BOLT M8×73	2	
30	KA001820030	节气门踏板扭簧	THROTTLE PEDAL	1	
31	GB6187-86	六角法兰自锁螺母M8	NUT FLANGE M8	2	
32	GB5787-86	六角法兰螺栓M8×40	BOLT FLANGE M8×35	3	
33	GB6187-86	六角法兰自锁螺母M8	NUT FLANGE M8	3	
34	KM003010001	脚踏橡皮套	RUBBER, PAD	2	

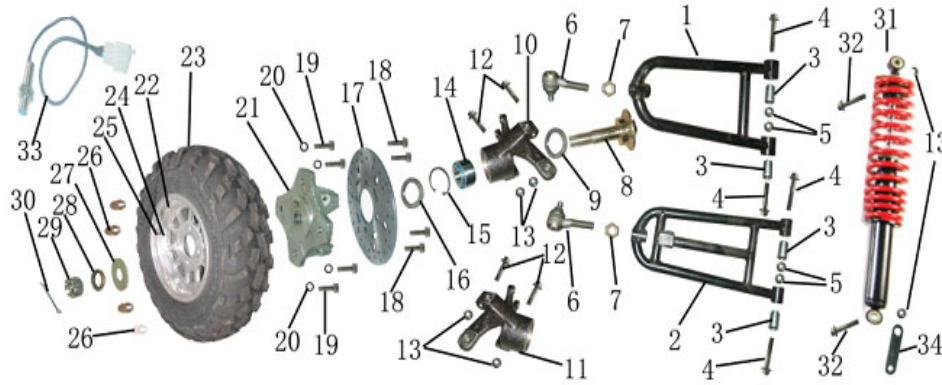
F-03



序号 Ref. No	功能码 Function Code	中文名称 Chinese Description	英文名称 Part Name	数量 Reqd. No.	备注 Remark
1	KA101020000	右保险杠架	RIGHT BRUSH GUARD BAR ,MAIN	1	
2	KA101020100	左保险杠架	LEFT BRUSH GUARD BAR ,MAIN	1	
3	KF7S1160000	前护杆	LEFT BRUSH GUARD BAR ,MAIN	1	
4	KA101110000	保护杆	BRUSH GUARD BAR ,RR	2	
5	KA101070000	保险杠横杆	BRUSH GUARD BAR ,CENTER	1	
6	KA204250200	右后视镜	RIGHT REARVIEW MIRROR	1	
7	KA204250100	左后视镜	LEFT REARVIEW MIRROR	1	
8	KA003060000	防护杆衬套(φ32)	BUSH, BRUSH GUARD BAR (φ32)	2	
9	KA003070000	防护杆衬套(φ 25)	BUSH, BRUSH GUARD BAR (φ25)	6	
10	GB5787-86	六角法兰螺栓 M8×50	BOLT FLANGE M8×50	6	
11	50199-BCA0-0000-0C	R-垫	R-WASHER	20	
12	GB6187-86	六角法兰自锁螺母 (M8)	LOCK NUT FLANGE (M8)	6	
13	GB5787-86	六角法兰螺栓 M8×55	BOLT FLANGE M8×55	8	
14	GB6187-86	六角法兰自锁螺母 (M10)	LOCK NUT FLANGE (M10)	2	
15	KA204160100	左前转向灯	FORWARD LEFT TURNING LIGHT	1	
16	KA204170100	右前转向灯	FORWARD RIGHT TURNING LIGHT	1	
17	GB/T93-87	弹垫10	SPRING WASHER	2	
18	GB6170-86	六角螺母M10×1.25	NUT (M10×1.25)	2	

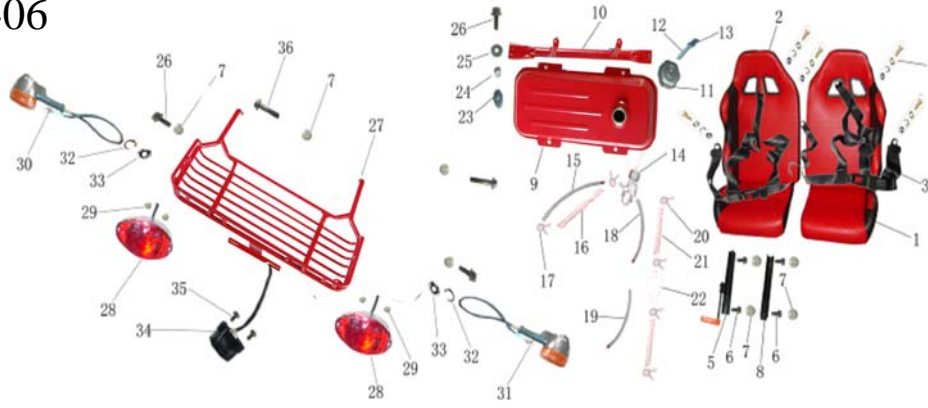
KINROAD

F-04



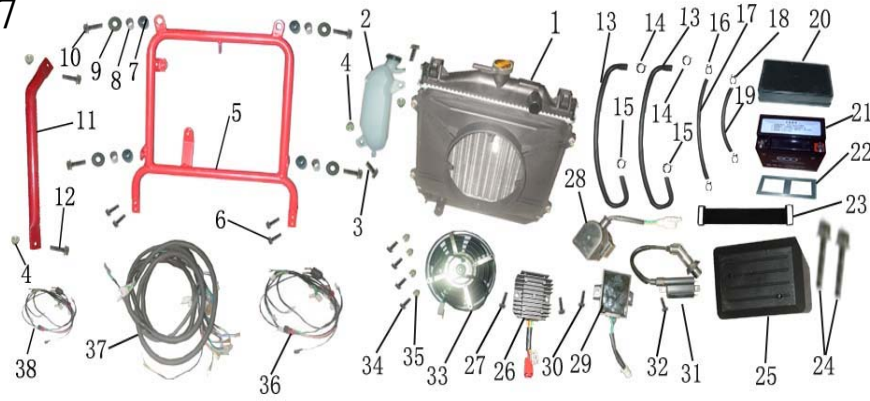
序号 Ref. No	功能码 Function Code	中文名称 Chinese Description	英文名称 Part Name	数量 Reqd. No.	备注 Remark
1	KM00117001A	前上悬挂臂总成	SUSPENSION ARM COMP, UPPER	2	
2	KM00118001A	前下悬挂臂总成	SUSPENSION ARM COMP, LOWER	2	
3	KM003390000	悬挂臂缓冲套	SHEET BUSH, SWING ARM	8	
4	GB5787-86	六角法兰螺栓M12×70	BOLT FLANGE M12×70	8	
5	GB6187-86	六角法兰自锁螺母M12	NUT FLANGE M12	8	
6	KM001710000	球接总成	ROD END	4	
7	GB6170-86	六角螺母M16×1.5	NUTM16×1.5	4	
8	KM005100030	前轮轴	AXLE, FRONT	2	
9	KM005410000	油封40×55-6	DUST SEAL 40×55-6	2	
10	KM00505001A	左前轮毂	STUB AXLE, L	1	
11	KM00506001A	右前轮毂	STUB AXLE, R	1	
12	GB5787-86	六角法兰螺栓M10×45	BOLT FLANGEM10×45	4	
13	GB6187-86	六角法兰自锁螺母M10	NUT FLANGE M10	8	
14	KM005520000	轴承FWD305530	BEARING FWD305530	2	
15	GB/T 893. 1-86	孔用弹性挡圈55	HOLE SPACER, ELASTIC 55	2	
16	KM005420000	油封40×58-8.5	DUST SEAL 40×58-8.5	2	
17	KF7S5120000	碟刹盘	DISC, BRAKE	2	
18	GB5780-86	六角螺栓M8×20、军绿, 薄头5mm	BOLT FLANGEM8×20	8	
19	GB5787-86	六角法兰螺栓M12×35	BOLT FLANGEM12×35	8	
20	GB95-85	平垫8	FLAT WASHER 8	8	
21	KM005070040	前碟刹盘座	FRONT HUB	2	
22	KM005010000	前辐板轮12×6	RIM, FR. 12×6	2	
23	KM005030000	真空胎25×8-12	TIRE, FR 25×8-12	2	
24	KM005030200	气门嘴帽	CAP, TIRE INTAKE	2	
25	KM005030100	气门嘴	INTAKE, TIRE	2	
26	GB/T923-88	盖形螺母M12	WHEEL NUT M12	8	
27	GB95-85	平垫18	FLAT WASHER 18	8	
28	GB/T93-87	弹垫18	WASHER, SPRING ø18	8	
29	GB/T9457-1988	六角开槽螺母M18×1.5	NUT-CASTLE M18×1.5, FRONT AXLE	2	
30	GB/T 91-2000	开口销3.2×40	COTTERPIN 3.2×40	2	
31	KF7S6010001	前减震器(590mm)	ABSORBER ASSY. FR.	2	
32	GB5787-86	六角法兰螺栓M10×50	BOLT FLANGE M10×50	4	
33	KM00131001A	速度传感器支架	BRACKET, SPEED SENSOR	1	
34	KM004150300	速度传感器	SPEED SENSOR	1	

F-06



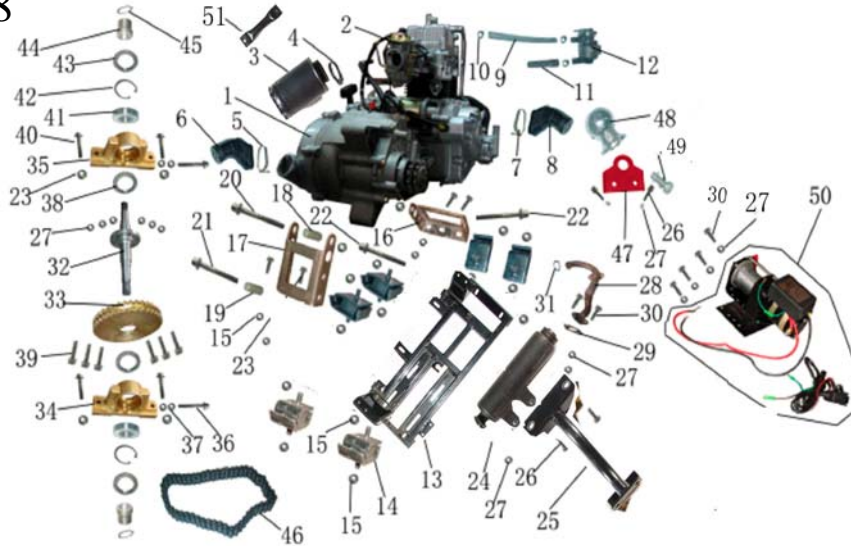
序号 Ref. No	功能码 Function Code	中文名称 Chinese Description	英文名称 Part Name	数量 Reqd. No.	备注 Remark
1	KA107010200-2	左座垫	LEFT SEAT ASSY	1	
2	KA107010100-2	右座垫	RIGHT SEAT ASSY	1	
3	KA107080000-1	五点式安全带	BELT. SAFETY	1	
4	KA107080100-1	安全带附件	BOLT BELT. SAFETY	5	
5	KA20705001A	滑轨1	RAIL SET. SEAT	1	
6	GB5787-86	六角法兰螺栓 M8×25	BOLT FLANGE M8×25	8	
7	GB6187-86	六角法兰自锁螺母 M8	LOCK NUT FLANGE M8	12	
8	KA20705001A	滑轨2	RAIL SET. SEAT	2	
9	KB002060000	油箱	TANK, COMP. FUEL	1	
10	KB2S1070000	油箱安装支架	GAS TANK BRACKET	1	
11	KA002060100	油箱盖	CAP, COMP. FUEL TANK	1	
12	KA003220000	导流管	TUBE COMP. VACUUM	1	
13	KA002070000	止回阀	CHECK VALVE	1	
14	KA002080000	油箱开关	COCK, FUEL ASSY.	1	
15	KA003230000	气管	TUBE COMP. VACUUM	1	
16	KA001830050	保护网II	TUBE SPRING II	1	
17	KA001870050	气管卡簧	CIRCLIP, AIR PIPE	2	
18	KA003210100	油管I	TUBE COMP. FUEL. I	1	
19	KA003210200	油管II	TUBE COMP. FUEL. II	1	
20	KA001860050	油管卡簧	CIRCLIP, FUEL TUBE	4	
21	KA001850050	保护网I	TUBE SPRING I	2	
22	KA002090000	过滤器	FILTER	1	
23	KA003370000	油箱橡胶圈	RUBBER RING	4	
24	17519-BCA0-0000-0C	安装衬套	COLLAR, INNER	4	
25	GB/T95-87	平垫 φ8	FLAT WASHER φ8	4	
26	GB5787-86	六角法兰螺栓 M8×25	BOLT FLANGE M8×25	6	
27	KB2S1200000	后储物架组件	CARRIER COMP., REAR	1	
28	KA204110000	后尾灯	TAIL LAMP ASSY.	2	
29	GB6187-86	六角法兰自锁螺母 M6	LOCK NUT FLANGE M6	4	
30	KA204160200	后左转向灯	BEHIND LEFT TURNING LIGHT	1	
31	KA204170200	后右转向灯	BEHIND RIGHT TURNING LIGHT	1	
32	GB/T93-87	弹垫10	WASHER, SPRING φ10	2	
33	GB6170-86	六角螺母M10	NUTM10	2	
34	KA204200000	后牌照灯	REAR REGISTRATION PLATE LAMP	1	
35	GB845-85	自攻螺钉ST3.8×12	BOLT ST3.8×12	2	
36	GB5787-86	六角法兰螺栓 M8×45	BOLT FLANGE M8×45	2	

F-07



序号 Ref. No	功能码 Function Code	中文名称 Chinese Description	英文名称 Part Name	数量 Reqd. No.	备注 Remark
1	KB004200000	散热器(水箱)	RADIATOR	1	
2	KB004210000	副水箱	WATER TANK, SUBSIDIARY	1	
3	GB5787-86	六角法兰螺栓 M8×20	BOLT FLANGE M8×20	6	
4	GB6187-86	六角法兰自锁螺母 M8×1.25	LOCK NUT FLANGE M8×1.25	8	
5	KB001810030	散热器固定座	BUMPER	1	
6	GB5787-86	六角法兰螺栓 M6×25	BOLT FLANGE M6×25	4	
7	KA003370000	水箱橡胶圈	RUBBER RING	4	
8	17519-BCA0-0000-0C	安装衬套	COLLAR, INNER	4	
9	GB/T95-87	平垫 φ6	FLAT WASHER φ6	4	
10	GB5787-86	六角法兰螺栓 M6×30	BOLT FLANGE M6×30	4	
11	KF9S1070000	散热器固定座支撑杆	FIXED LINK, RADITOR	1	
12	GB5787-86	六角法兰螺栓 M8×20	BOLT FLANGE M8×20	2	
13	KF7S2040000	进水管	RUBBER TUBE, WATER IN	2	
14	KB004240000	水管夹(卡箍25)	CLIP, WATER PIPE	2	
15	KB004210000	水管夹(卡箍20)	CLIP, WATER PIPE	2	
16	KB004230000	卡箍10	CIRCLIP 10	2	
17	KB004460000	副水箱通水管	WATER TUBE OF WATER TANK, SUBSIDIARY	1	
18	KB004220000	卡箍7	CIRCLIP 7	2	
19	KF7S2040100	气管	AIR PIPE	1	
20	KA003030000	电池盖	COVER, BATTERY	2	
21	KB004070000	电池	BATTERY	1	
22	KA003360000	电池垫	CUSHION, BATTERY	1	
23	KB003430000	电池绑带	BATTERY BRACE	1	
24	GB/T818-85	十字盘头螺钉M6×75	"+" HEAD BOLT M6X75	2	
25	KB003010000	电器盒	WIRING BOX	1	
26	KG9S2010002	调压整流器	RECTIFIER COMP, REGULATE	1	
27	GB5787-86	六角法兰螺栓 M6×30	BOLT FLANGE M6×25	2	
28	KG9S2010003	起动继电器	STARTING RELAY	1	
29	KG9S2010004	CDI点火器	CDI UNIT	1	
30	GB5787-86	六角法兰螺栓 M6×30	BOLT FLANGE M6×16	1	
31	KG9S2010005	高压包	COIL COMP. IGNITION	1	
32	GB5787-86	十字盘头螺钉M5×25	BOLT FLANGE M5×25	1	
33	19030-SDA0-0000	风扇电机	FAN	1	
34	GB/T818-85	十字盘头螺钉M4×16	BOLT M4×16	4	
35	GB6187-86	六角法兰螺母 M4	LOCK NUT FLANGE M4	4	
36	KF9S4020000	副电缆1	SUB-WIRING HARNESS 1	1	
37	KF9S4010000	主电缆	MAIN WIRE HARNESS	1	
38	KF9S4030000	副电缆2	SUB-WIRING HARNESS 2	1	

F-08



序号 Ref. No	功能码 Function Code	中文名称 Chinese Description	英文名称 Part Name	数量 Reqd. No.	备注 Remark
1	KG9S2010000	发动机	ENGINE ASSY	1	
2	KG9S2010001	化油器	CARBURETOR ASSY	1	
3	KG9S2030000	空滤器	AIR CLEANR ASSY.	1	
4	KG9S2030100	空滤器卡箍	CIRCLIP, AIR CLEANR ASSY.	1	
5	KG9S2030200	后吸风管卡箍	CIRCLIP, REAR BREATHER PIPE	1	
6	KF7S3030000	后吸风管	REAR BREATHER PIPE	1	
7	KG9S2030300	前吸风管卡箍	CIRCLIP, FRONT BREATHER PIPE	1	
8	KF7S3030001	前吸风管	FRONT BREATHER PIPE	1	
9	KA202080000	二次进气管 I	VENTILATE CANNULATION I	1	
10	KA202100000	二次进气管卡簧	CONNECTION, EXHAUST	3	
11	KA202090000	二次进气管 II	VENTILATE CANNULATION II	1	
12	KA202070000	二次进气空气阀	AIR FEED CONTROC VALVE	1	
13	KG9S1040000	发动机安装架	ENGINE MOUNT, PEDESTAL	1	
14	KF7S0200000	发动机缓冲块	ENGINE RUBBER BUMPER	6	
15	GB6187-86	六角法兰自锁螺母 (M10×1.25)	LOCK NUT FLANGE M10×1.25	16	
16	KG9S1050000	发动机连接前安装支架	ENGINE MOUNT, FRONT	1	
17	KF7S1050000	发动机连接后安装支架	ENGINE MOUNT, REAR	1	
18	KF7S1050100	衬套Φ25×Φ12.5×26	BUSH Φ25×Φ12.5×26	1	
19	KF7S1050200	衬套Φ25×Φ12.5×60	BUSH Φ25×Φ12.5×60	1	
20	GB5787-86	六角法兰面螺栓M12×115	BOLT FLANGE M12×115	1	
21	GB5787-86	六角法兰面螺栓M12×140	BOLT FLANGE M12×140	1	
22	GB5787-86	六角法兰面螺栓M12×160	BOLT FLANGE M12×160	2	
23	GB6187-86	六角法兰自锁螺母 (M12×1.25)	LOCK NUT FLANGE M12×1.25	8	
24	KF7S2060000	排气消声器总成	MUFFLER COMP., EX	1	
25	KF7S1090000	排气管安装支架	MUFFER BRACKET	1	
26	GB5787-86	六角法兰面螺栓M8×25	BOLT FLANGE M8×25	4	
27	GB6187-86	六角法兰自锁螺母 (M8×1.25)	LOCK NUT FLANGE M8×1.25	16	
28	KG9S2070000	排气消声器软管	FRONT EXHAUST PIPE	1	
29	KF7S2090000	排气消声器纸垫	EXHAUST GASKET 2	1	
30	GB5787-86	六角法兰面螺栓M8×20	BOLT FLANGE M8×20	6	
31	KF7S2080000	排气消声器密封垫	EXHAUST GASKET 1	1	
32	KG9S5070000	链轮盘安装轴	AXLE COMP., RR.	1	
33	KG9S5060000	链轮盘 (43齿双排)	REAR SPROCKET	1	
34	KG9S5080001	右链轮盘安装轴承座	R., BEARING HOUSING COMP	1	
35	KG9S5080000	左链轮盘安装轴承座	L., BEARING HOUSING COMP	1	
36	GB5780-86	六角螺栓M10×120×1.25 (全螺纹)	BOLT, M10×120×1.25	2	
37	GB/T41-86	六角螺母M10、军绿	NUT, M10×1.25	6	
38	KF7S5110000	油封35×55-8	DUST SEAL 35×55-8	2	
39	GB5787-86	六角法兰面螺栓M10×35	BOLT FLANGE M10×35	6	
40	GB5787-86	六角法兰面螺栓M12×45	BOLT FLANGE M12×45	4	
41	KF7S5090000	轴承1206ATN	BEARING 1206ATN	2	
42	GB/T 893.1-86	B型孔用卡簧φ62	HOLE SPACER, ELASTIC 62	2	
43	KF7S5100000	油封38×62-8	DUST SEAL 38×62-8	2	
44	KG9S5080100	链轮盘安装轴承座压紧衬套	BUSH FOR BEARING 1206ATN	2	
45	GB/T 893.1-86	B型轴用卡簧φ26	AXLE SPACER, ELASTIC 62	2	
46	KG9S5130000	链条 (双排530型56节)	DOUBLE CHAIN	1	
47	KB2S1400000	拖车挂钩安装支架	TRAILER HATCH	1	
48	KB2S1300000	拖车挂钩	TRAILER HATCH HOOK	1	

49	GB5780-86	六角螺栓M12X25	NUT M12X25	1	
50	KF7S4070000	牵引机	WINCH	1	可选
51	KG9S2010002	空滤器支架	BRACKET FOR AIR CLEANR ASSY.	1	



KINROAD